

Type **TSF2 H₂**

WEH[®] Coalescing Filter

for installation onboard H₂ vehicles and in fuelling stations



General

DESCRIPTION



Features

- Fine filter with high particle removal efficiency
- (efficiency of approx. 99.9% > 0.3 micron)
- For installation onboard H₂ vehicles and in fuelling stations
- Protection of critical components in the fuel system
- Wear resistant
- Ease of maintenance

Clean, filtered gases are essential to guarantee the proper function of components for vehicles and fuelling stations when refuelling with hydrogen. The WEH[®] TSF2 H₂ Coalescing Filter was developed to remove particles from the gas flow. Coalescing Filters are more effective in comparison to regular particle filters due to the high particle removal efficiency. When filtering the gas flow, the coalescing filter reliably removes contaminants such as oil, water and dirt particles which are contained in the gas. This contamination is isolated by the coalescing filter. Hydrogen flows through the filter, whereas contaminants such as oil, water and other aerosols coalesce, and drop into the sump of the filter, where they are separated into a drain port.

The WEH[®] TSF2 H₂ is easy to maintain and can be installed onboard vehicles and in fuelling stations at any time.

Application

Coalescing filter for installation onboard H₂ vehicles (e1 approval) and in fuelling stations (CE approval).

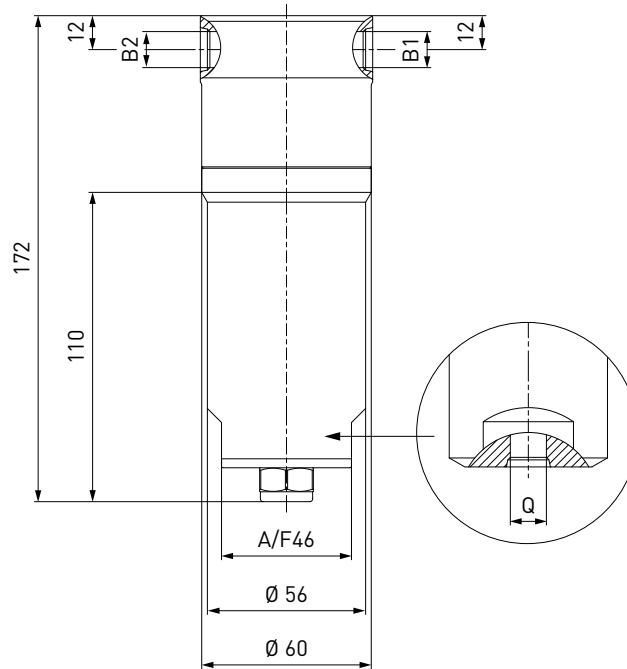
TECHNICAL DATA

Characteristic	Basic version	Options
Nominal bore DN	10 mm	On request
Pressure range	PN = 350 bar (5,000 psi) PS = 450 bar PT = 675 bar	
Temperature range	-40 °C up to +85 °C (-40 °F up to +185 °F)	On request
Material	Corrosion resistant stainless steel	On request
Sealing material	Hydrogen compatible	On request
Filter element	< 1 micron	On request
Design	Incl. plug	On request
Registration	e1 00 0004 (Regulation (EC) No. 79/2009) PED97/23EC: CE0036	

Ordering / Spare parts

ORDERING | WEH® TSF2 H₂ Coalescing Filter with filter cartridge Ø 38.0 mm

approx. dimensions (mm)



Part No.	Description	Pressure (PN)	Inlet B1 (internal thread)	Outlet B2 (internal thread)	Drain port Q (internal thread)
C1-89635	TSF2 H ₂ (e1)	350 bar / 5,000 psi	UNF 9/16"-18*	UNF 9/16"-18*	UNF 9/16"-18*
C1-120710	TSF2 H ₂ (CE)	350 bar / 5,000 psi	UNF 9/16"-18*	UNF 9/16"-18*	UNF 9/16"-18*

* acc. to SAE J1926

SPARE PARTS

Various parts are available as spares for the WEH® TSF2 H₂ Coalescing Filter:

Plug

Plug with polyurethane o-ring for closing the drain port 'Q' (end of the filter).



Part No.	Description	Port (external thread)
E69-93336	Plug with o-ring	UNF 9/16"-18*

* acc. to SAE J1926

Filter cartridge

For TSF2 H₂ coalescing filter with filter cartridge Ø 38.0 mm.



Part No.	Description	Length
E69-89626	Filter cartridge	90.0 mm



Other products

OTHER PRODUCTS

You will find more products in our current catalogue no. 50



Further information on our homepage
www.weh.com

» Contacting

For queries and further information, please do not hesitate to contact us.

Manufacturer:

WEH GmbH Gas Technology

Josef-Henle-Str. 1
89257 Illertissen / Germany

Phone: +49 7303 95190-0

Fax: +49 7303 95190-9999

eMail: h2sales@weh.com

www.weh.com