

Type **TSF5 CNG**

Filter

for installation between inline breakaway coupling and filling hose



General

DESCRIPTION



Features

- For CNG free of impurities
- Filter insert can be cleaned
- Prefilter for inline breakaways
- For installation between inline breakaway and filling hose

Contaminants in the gas flow can enter the vehicle's storage tank during refueling. These dirt particles in the natural gas fuel may cause damage to the sealing components. WEH, therefore, offers CNG filter for clean natural gas. Solid particles are captured reliably.

The TSF5 CNG filter is used for fueling stations as well as for dispensers. The filter is mainly installed as prefilter in the media inlet between inline breakaway coupling and filling hose.

Application

Filter for installation as prefilter between inline breakaway coupling and filling hose.

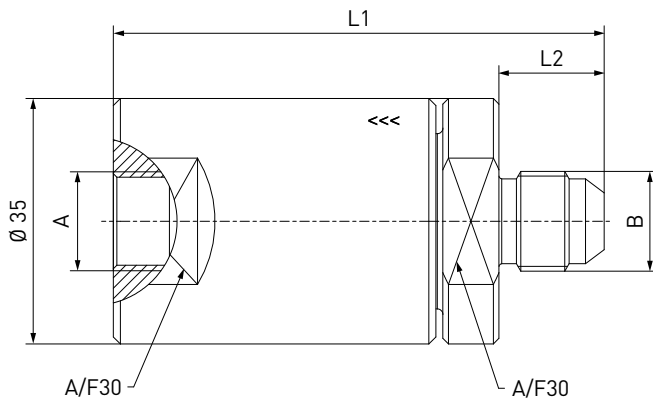
TECHNICAL DATA

Characteristic	Basic version	Options
Nominal bore DN	Depending on design	On request
Pressure range	PN = 200 bar (3,000 psi) PS = 300 bar PT = 450 bar PN = 250 bar (3,600 psi) PS = 350 bar PT = 525 bar	
Temperature range	-40 °F up to +185 °F	On request
Material	Corrosion resistant stainless steel	On request
Sealing material	Natural gas compatible	On request
Filter element	50 micron	On request

Ordering

ORDERING | Filter TSF5 CNG (50 micron) with external and internal thread

approx. dimensions (mm)



Part No.	Description	DN	Pressure (PN)	Inlet B (external thread)	Outlet A (internal thread)	L1	L2
C1-83120-X01	TSF5 CNG	8	3,000 psi	UNF 9/16"-18*	UNF 9/16"-18*	70	15
C1-102491-X01	TSF5 CNG	8	3,600 psi	UNF 9/16"-18*	UNF 9/16"-18*	70	15
C1-105923-X01	TSF5 CNG	12	3,000 psi	UNF 7/8"-14*	UNF 7/8"-14*	75	19.5

* acc. to SAE J514, 37°

SPARE PARTS

Various parts are available as spares for type TSF5 CNG:

Part No.	Description
E50-2525568	O-ring for UNF 9/16"-18* male thread
E51-91526	O-ring for UNF 7/8"-14* male thread
E55-247A	Back-up ring
E80-31704	Filter element

* acc. to SAE J514, 37°

Other products

OTHER PRODUCTS

You will find more products in our current catalog no. 15



Further information on our homepage
www.weh.com

Abbreviations/Definition

Explanation of abbreviations see technical appendix in the catalogue or www.weh.com

Safe product selection

Our WEH® Products are designed to be operated by qualified professional users (insofar as WEH® Products are also designed to be operated by other users in individual cases, this is explicitly stated in the corresponding operating instructions). You alone are responsible for the selection of WEH® Products and their configuration according to the requirements of your system. In doing so, please particularly consider your intended use, your performance data, your material compatibility, your system concept and your system limits as well as your technical and legal requirements for operation, handling and maintenance. The quality and safety of WEH® Products is our highest priority. For this reason, WEH® Products may not be used outside the specifications in the relevant data sheets and product descriptions. We also strongly recommend that you refrain from using third-party spare parts or a combination of WEH® Products with unsuitable third-party products. You alone are responsible for reviewing the suitability of third-party products. WEH® Products and WEH® Spare parts comply with our quality and safety standards.

Explanation on the Pressure Equipment Directive

These WEH® Products are generally and exclusively classified as pressure accessories for piping in accordance with Article 2 (5) of the Pressure Equipment Directive 2014/68/EU. These WEH® Products may not be used (i) as safety accessories or (ii) for vessels as defined by the Pressure Equipment Directive 2014/68/EU. Therefore, the application of these WEH® Products must comply with their classification as pressure accessories for piping. The assessment with regard to a different classification can, however, be made on request.

External change management

WEH reserves the right to update, optimise and adjust its products continuously. This may result in corresponding changes of the product. Customers will be informed proactively or unsolicited by WEH only in individual cases about product updates, product optimisations and/or product adaptations that have been carried out. You are free to contact WEH at any time to request information about any product updates, product optimisations and/or product adjustments.

© All rights reserved, WEH GmbH. Any unauthorized use is strictly forbidden. Subject to alteration.
 No liability will be assumed for any content. Herewith previous versions are no longer valid.

» Contact

For queries and further information, please do not hesitate to contact us.

Manufacturer:

WEH GmbH Gas Technology
 Josef-Henle-Str. 1
 89257 Illertissen / Germany
 Phone: +49 7303 95190-0
 Fax: +49 7303 95190-9999
 Email: ngvsales@weh.com
www.weh.com



Distributor US:

WEH Technologies Inc.
 24903 Laguna Edge Drive
 Katy, TX 77494 / USA
 Phone: +1 832 331 0021
 Fax: +1 281 712 2664
 Email: sales@weh.us
www.weh.us