

Type **TSF2 CNG**

Filter

for installation onboard CNG vehicles and in fuelling stations



General

DESCRIPTION



Features

- For CNG free of impurities
- Filter insert can be cleaned
- For installation onboard CNG vehicles and in fuelling stations

Contaminants in the gas flow can enter the vehicle's storage tank during refuelling. These dirt particles in the natural gas fuel may cause damage to the sealing components. WEH, therefore, offers CNG filter for clean natural gas. Solid particles are captured reliably.

The filter element can be removed and is re-usable after having been cleaned.

The TSF2 CNG filter is mainly used for fuelling stations and dispensers.

Application

Filter for installation onboard CNG vehicles and in fuelling stations.

Only use filters with ECE approval for fitment in vehicles!

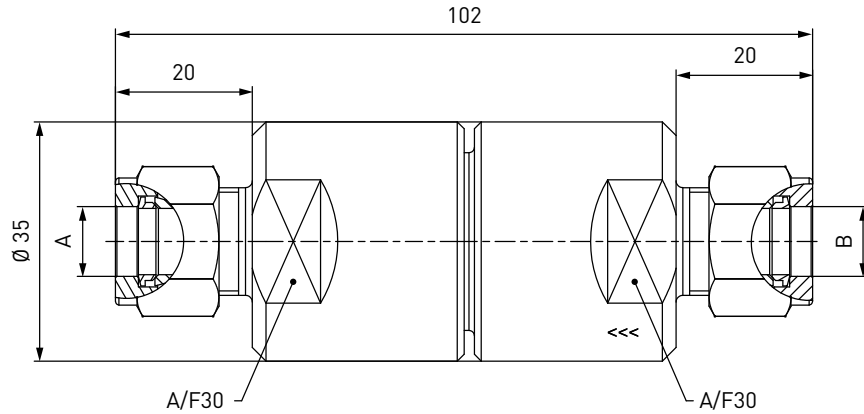
TECHNICAL DATA

Characteristic	Basic version	Options
Nominal bore DN	Depending on design	On request
Pressure range	PN = 200 bar (3,000 psi) PS = 300 bar PT = 450 bar	
Temperature range	-40 °C up to +120 °C (-40 °F up to +248 °F)	On request
Material	Corrosion resistant stainless steel	On request
Sealing material	Natural gas compatible	On request
Filter element	40 micron	50 micron, others on request
Design	Incl. fittings (only for filters with tube fitting)	On request
Registration	ECE approval on request	

Ordering

ORDERING | Filter TSF2 CNG (40 micron) with tube fitting on both sides

approx. dimensions (mm)

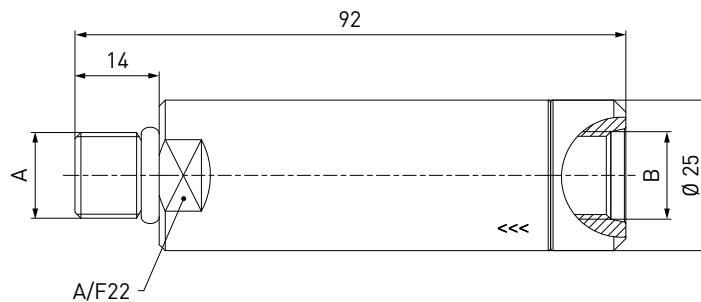


Part No.	Description	DN	Pressure (PN)	Inlet B	Outlet A
C1-106736-X01	TSF2 CNG	5	200 bar / 3,000 psi	Tube Ø 6*	Tube Ø 6*
C1-106750	TSF2 CNG	5	200 bar / 3,000 psi	Tube Ø 1/4"*	Tube Ø 1/4"*
C1-106746-X01	TSF2 CNG	6	200 bar / 3,000 psi	Tube Ø 8*	Tube Ø 8*
C1-106751	TSF2 CNG	8	200 bar / 3,000 psi	Tube Ø 3/8"*	Tube Ø 3/8"*
C1-16840-X1-X01	TSF2 CNG	8	200 bar / 3,000 psi	Tube Ø 10*	Tube Ø 10*

* double ferrule fitting

ORDERING | Filter TSF2 CNG (40 micron) with internal and external thread

approx. dimensions (mm)



Part No.	Description	DN	Pressure (PN)	Inlet B (internal thread)	Outlet A (internal thread)
C1-15334-X01	TSF2 CNG	8	200 bar / 3,000 psi	UNF 9/16"-18*	UNF 9/16"-18*

* acc. to SAE J1926

SPARE PARTS

Various parts are available as spares for type TSF2 CNG:

Part No.	Description
E69-9061	Wire filter insert 40 micron (incl. spring and o-ring)

Other products

OTHER PRODUCTS

You will find more products in our current catalogue no. 15



Further information on our homepage
www.weh.com

Abbreviations/Definition

Explanation of abbreviations see technical appendix in the catalogue or www.weh.com

Safe product selection

Our WEH® Products are designed to be operated by qualified professional users (insofar as WEH® Products are also designed to be operated by other users in individual cases, this is explicitly stated in the corresponding operating instructions). You alone are responsible for the selection of WEH® Products and their configuration according to the requirements of your system. In doing so, please particularly consider your intended use, your performance data, your material compatibility, your system concept and your system limits as well as your technical and legal requirements for operation, handling and maintenance. The quality and safety of WEH® Products is our highest priority. For this reason, WEH® Products may not be used outside the specifications in the relevant Product data sheets and product descriptions. We also strongly recommend that you refrain from using third-party spare parts or a combination of WEH® Products with unsuitable third-party products. You alone are responsible for reviewing the suitability of third-party products. WEH® Products and WEH® Spare parts comply with our quality and safety standards.

Explanation on the Pressure Equipment Directive

These WEH® Products are generally and exclusively classified as pressure accessories for piping in accordance with Article 2 (5) of the Pressure Equipment Directive 2014/68/EU. These WEH® Products may not be used (i) as safety accessories or (ii) for vessels as defined by the Pressure Equipment Directive 2014/68/EU. Therefore, the application of these WEH® Products must comply with their classification as pressure accessories for piping. The assessment with regard to a different classification can, however, be made on request.

External change management

WEH reserves the right to update, optimise and adjust its products continuously. This may result in corresponding changes of the product. Customers will be informed proactively or unsolicited by WEH only in individual cases about product updates, product optimisations and/or product adaptations that have been carried out. You are free to contact WEH at any time to request information about any product updates, product optimisations and/or product adjustments.

© All rights reserved, WEH GmbH. Any unauthorized use is strictly forbidden. Subject to alteration.
 No liability will be assumed for any content. Herewith previous versions are no longer valid.

» Contacting

For queries and further information, please do not hesitate to contact us.

Manufacturer:

WEH GmbH Gas Technology

Josef-Henle-Str. 1
 89257 Illertissen / Germany

Phone: +49 7303 95190-0
 Fax: +49 7303 95190-9999

Email: h2sales@weh.com
www.weh.com