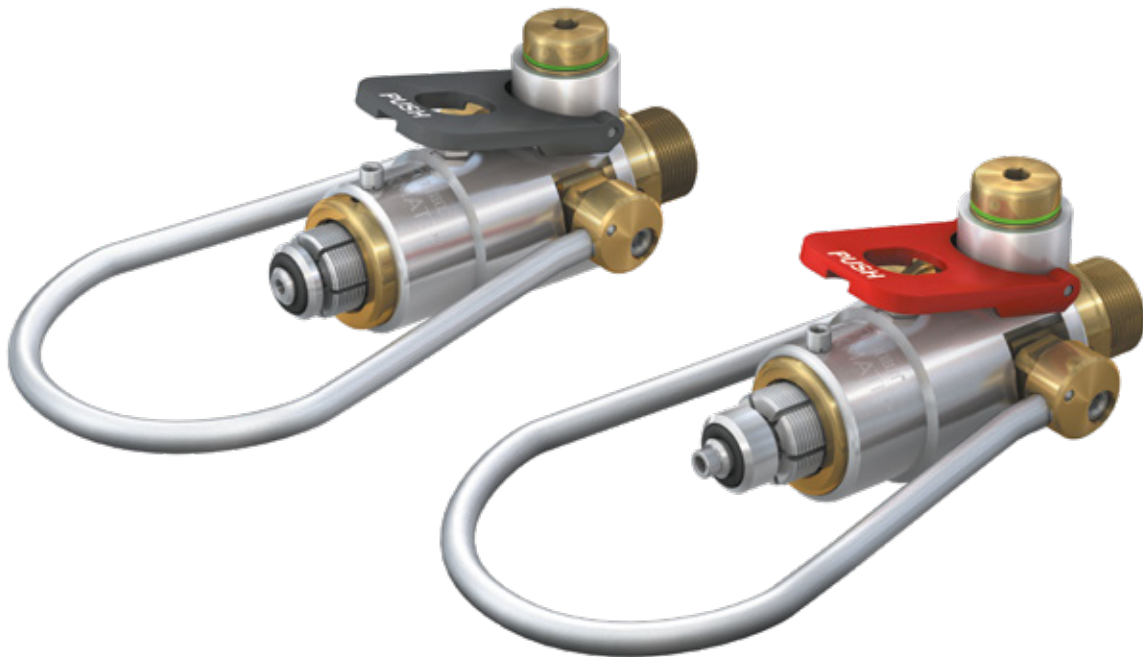


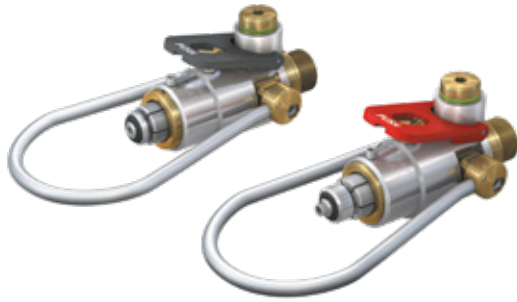
# CLICKMATE<sup>®</sup> TW154

Quick connector for filling of BA cylinders 200/300 bar  
for direct connection to existing filling rigs



General

**DESCRIPTION**



**Features**

- Connection directly to the standard threads of the cylinder valves
- Quick connection in seconds without hand tightening
- Filling of breathing air cylinders becomes even easier and more efficient
- Improves operational safety and ergonomics

**CLICKMATE® TW154** quick connector is designed for filling breathing air cylinders. Existing filling rigs equipped with screw connectors can be upgraded without problems.

The **CLICKMATE® TW154** uses the split collet thread design that locks securely into standard threads of cylinder valves. Connection is made by lowering the operating loop through 90° which locks the split collet jaws into the cylinder valve and actuates the sealing piston. An integrated safety mechanism prevents disconnection under pressure.

**CLICKMATE® TW154** is available for 200 bar systems (designated by a black lever) and 300 bar systems (designated by a red lever).

All connectors are subjected to extensive pressure and durability tests.

**Application**

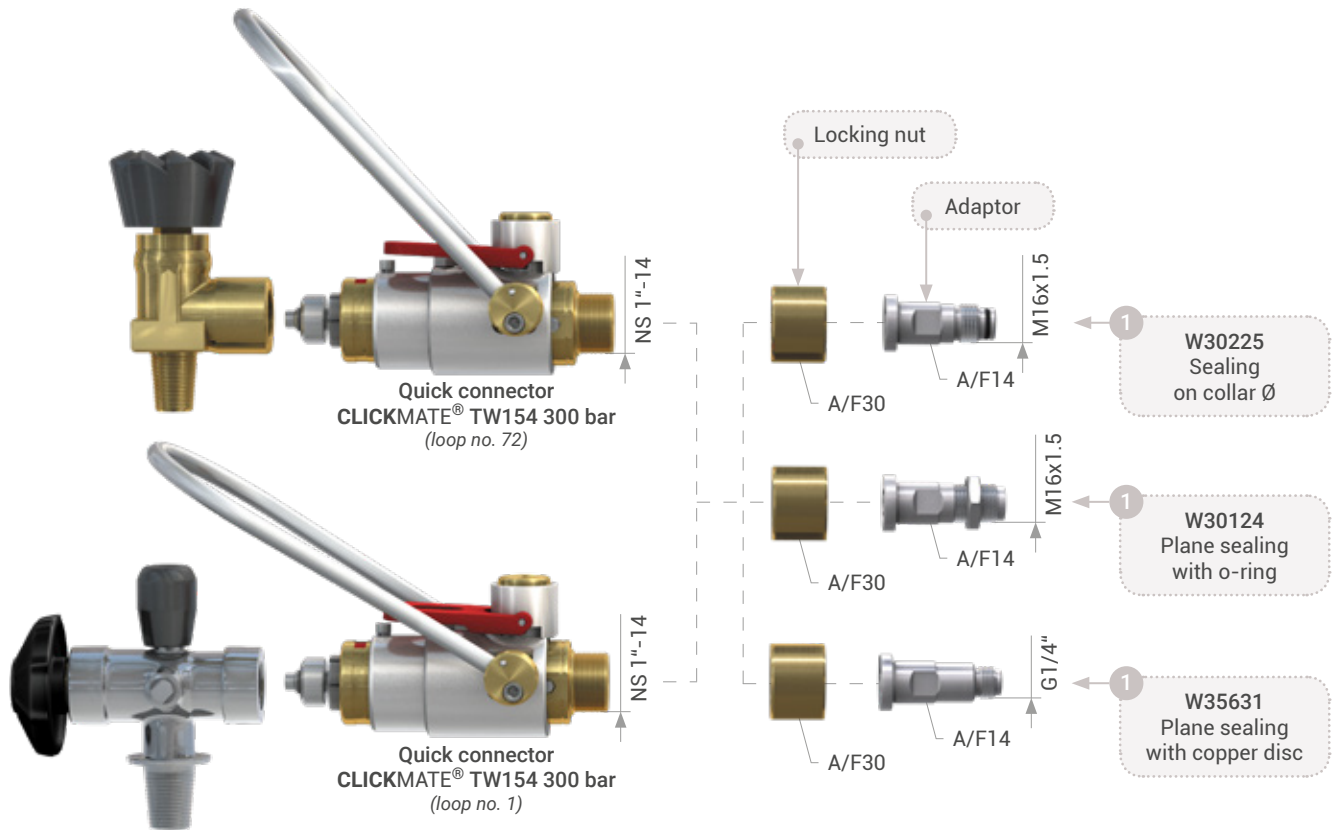
Quick connector for filling of BA cylinders in fire brigade BA filling installations for direct connection to existing filling rigs that have balancers to equalize weight and height.

**TECHNICAL DATA**

Characteristics	Basic version	Options
Pressure range	PN = 200 bar   PS = 250 bar   PT = 375 bar PN = 300 bar   PS = 375 bar   PT = 565 bar	On request
Temperature range	+5 °C up to +70 °C	On request
Medium	Breathing air (compressed air)	On request
Connection A (cylinder valve)	Standard connection for G5/8" internal thread (DIN 477)	Other connections acc. to the corresponding national standard available. Special connections available.
Inlet B1	Depending on connection at the filling rig	On request
Material	Brass and corrosion-resistant stainless steel	On request
Sealing material	FKM / NBR	On request

System overview

**SYSTEM OVERVIEW**

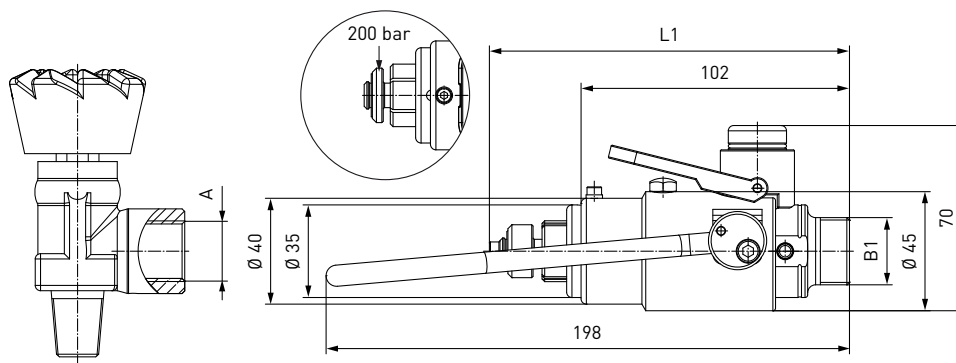


Filling rig with **CLICKMATE® TW154** Connectors

Ordering

**ORDERING** | Quick connector **CLICKMATE® TW154** with operating loop no. 72

approx. dimensions (mm)

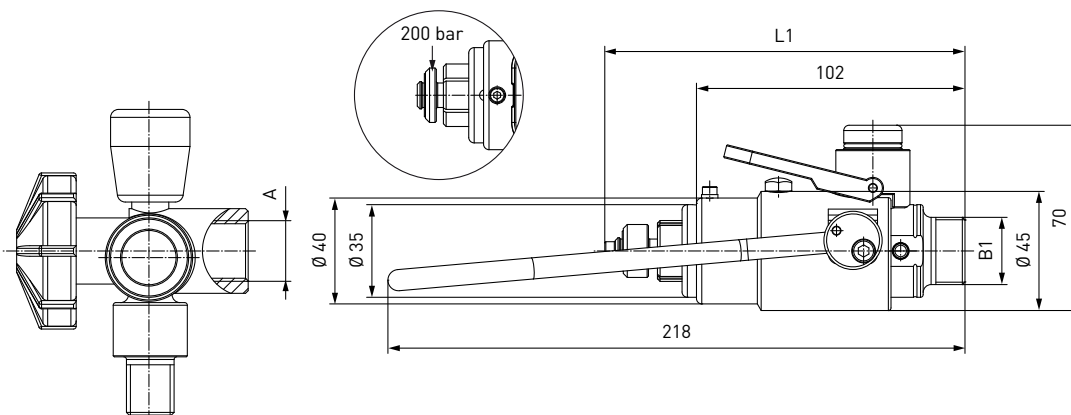


Part No.	Description	Pressure (PN)	A (internal thread)	B1 (external thread)	L1
<b>C1-92774-X01</b>	<b>CLICKMATE® TW154</b> (black lever)	200 bar	G5/8"*	NS 1"-14	126
<b>C1-92775-X01</b>	<b>CLICKMATE® TW154</b> (red lever)	300 bar	G5/8"*	NS 1"-14	136
<b>E51-308S508</b>	Spare front seal for <b>CLICKMATE® TW154</b>	-	-	-	-

\* acc. to DIN 477

**ORDERING** | Quick connector **CLICKMATE® TW154** with operating loop no. 1

approx. dimensions (mm)



Part No.	Description	Pressure (PN)	A (internal thread)	B1 (external thread)	L1
<b>C1-109695-X01</b>	<b>CLICKMATE® TW154</b> (black lever)	200 bar	G5/8"*	NS 1"-14	126
<b>C1-109696-X01</b>	<b>CLICKMATE® TW154</b> (red lever)	300 bar	G5/8"*	NS 1"-14	136
<b>E51-308S508</b>	Spare front seal for <b>CLICKMATE® TW154</b>	-	-	-	-

\* acc. to DIN 477

Accessories

**ACCESSORIES**

The following accessories are available for the **CLICKMATE® TW154**:

**1 Adaptor incl. locking nut**

Adaptor for **CLICKMATE® TW154** for connection to the filling rig.



Part No.	Description	Pressure	Connection
<b>W30225</b>	For connection to the filling rig	200 bar / 300 bar	M16x1.5 external thread o-ring sealing on collar Ø 12.9 mm
<b>W30124</b>	For connection to the filling rig	200 bar / 300 bar	M16x1.5 external thread o-ring plane sealing
<b>W35631</b>	For connection to the filling rig	200 bar / 300 bar	G1/4" external thread plane sealing

**2 Weight and height balancing system TZ100**

For safe positioning of the cylinders below the filling rig.

**Note:** Please note that a minimum space of 180 mm from connector centre to connector centre has to be observed at the filling rig!



Part No.	Description	Filling height
<b>C1-66042</b>	TZ100 System 1	825 - 870 mm
<b>C1-66237</b>	TZ100 System 2	840 - 910 mm
<b>C1-66238</b>	TZ100 System 3	880 - 980 mm
<b>C1-66239</b>	TZ100 System 4	955 - 1055 mm

## Other products

## OTHER PRODUCTS

You will find more products in our current catalogue no. 60



Further information on our homepage  
[www.weh.com](http://www.weh.com)

**Abbreviations/Definition**

Explanation of abbreviations see technical appendix in the catalogue or [www.weh.com](http://www.weh.com)

**Safe product selection**

Our WEH® Products are designed to be operated by qualified professional users (insofar as WEH® Products are also designed to be operated by other users in individual cases, this is explicitly stated in the corresponding operating instructions). You alone are responsible for the selection of WEH® Products and their configuration according to the requirements of your system. In doing so, please particularly consider your intended use, your performance data, your material compatibility, your system concept and your system limits as well as your technical and legal requirements for operation, handling and maintenance. The quality and safety of WEH® Products is our highest priority. For this reason, WEH® Products may not be used outside the specifications in the relevant data sheets and product descriptions. We also strongly recommend that you refrain from using third-party spare parts or a combination of WEH® Products with unsuitable third-party products. You alone are responsible for reviewing the suitability of third-party products. WEH® Products and WEH® Spare parts comply with our quality and safety standards.

**Explanation on the Pressure Equipment Directive**

These WEH® Products are generally and exclusively classified as pressure accessories for piping in accordance with Article 2 (5) of the Pressure Equipment Directive 2014/68/EU. These WEH® Products may not be used (i) as safety accessories or (ii) for vessels as defined by the Pressure Equipment Directive 2014/68/EU. Therefore, the application of these WEH® Products must comply with their classification as pressure accessories for piping. The assessment with regard to a different classification can, however, be made on request.

**External change management**

WEH reserves the right to update, optimise and adjust its products continuously. This may result in corresponding changes of the product. Customers will be informed proactively or unsolicited by WEH only in individual cases about product updates, product optimisations and/or product adaptations that have been carried out. You are free to contact WEH at any time to request information about any product updates, product optimisations and/or product adjustments.

© All rights reserved, WEH GmbH. Any unauthorized use is strictly forbidden. Subject to alteration.  
No liability will be assumed for any content. Herewith previous versions are no longer valid.

**» Contact**

For queries and further information, please do not hesitate to contact us.

Manufacturer:

**WEH GmbH Precision Connectors**

Josef-Henle-Str. 1  
89257 Illertissen / Germany

Phone: +49 7303 9609-0

Email: [sales@weh.com](mailto:sales@weh.com)

[www.weh.com](http://www.weh.com)