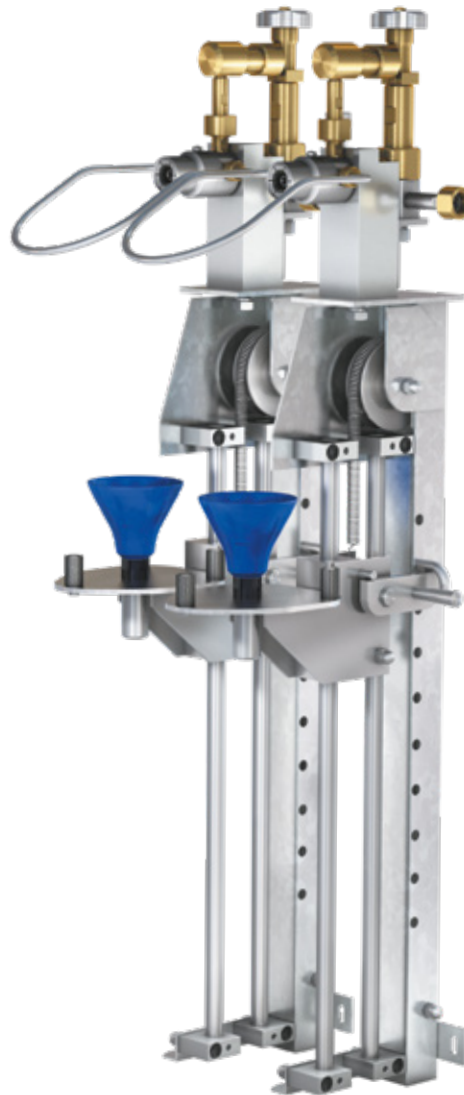


Type **TS150**

WEH[®] Filling rig

for gas cylinders up to 10 litres nominal volume



General

DESCRIPTION



Features

- Connection in seconds
- No hand tightening required
- Varying cylinder sizes up to 10 litres nominal volume can be filled without additional pedestals, plug-ins or mountings that are necessary for other filling rigs
- Small footprint
- Filling of gas cylinders becomes even easier and more efficient
- Available for wall mounting or optionally for installation on mobile base frame

The type TS150 linear filling rig is designed for filling gas cylinders of different sizes up to 10 litres nominal volume. Ease of operation is achieved by integrating a range of WEH® Connectors: e.g. type TW54, TW57, TW101 or TW102 to achieve connection and commencement of filling within seconds. This design avoids placing the cylinders on a pallet filling rig. A spring balance supports the weight of the gas cylinders. Cylinders can be connected without hand tightening.

Type TS150 is supplied as a single unit but units may be connected in series to make a multiple filling rig or units added to an existing rig if required.

Application

Linear filling rig for gas cylinders up to 10 litres nominal volume.

TECHNICAL DATA

| Characteristic | Basic version |
|--------------------|--|
| Pressure range* | PN = 200 bar PS = 250 bar PT = 375 bar PN = 300 bar PS = 375 bar PT = 565 bar |
| Temperature range* | +5 °C up to +80 °C +5 °C up to +60 °C (O ₂) |
| Medium | Oxygen, nitrogen, CO ₂ , air, inert/flammable gases, medical gases |
| Material | Corrosion resistant Cylinder support adaptor: galvanized steel |
| Design | WEH® Connector type TW54, TW57, TW101 or TW102 Filling rig for wall mounting or optional on mobile base frame |
| Weight | Approx. 40 kg |

* Pressure and temperature range depending on WEH® Connector used!

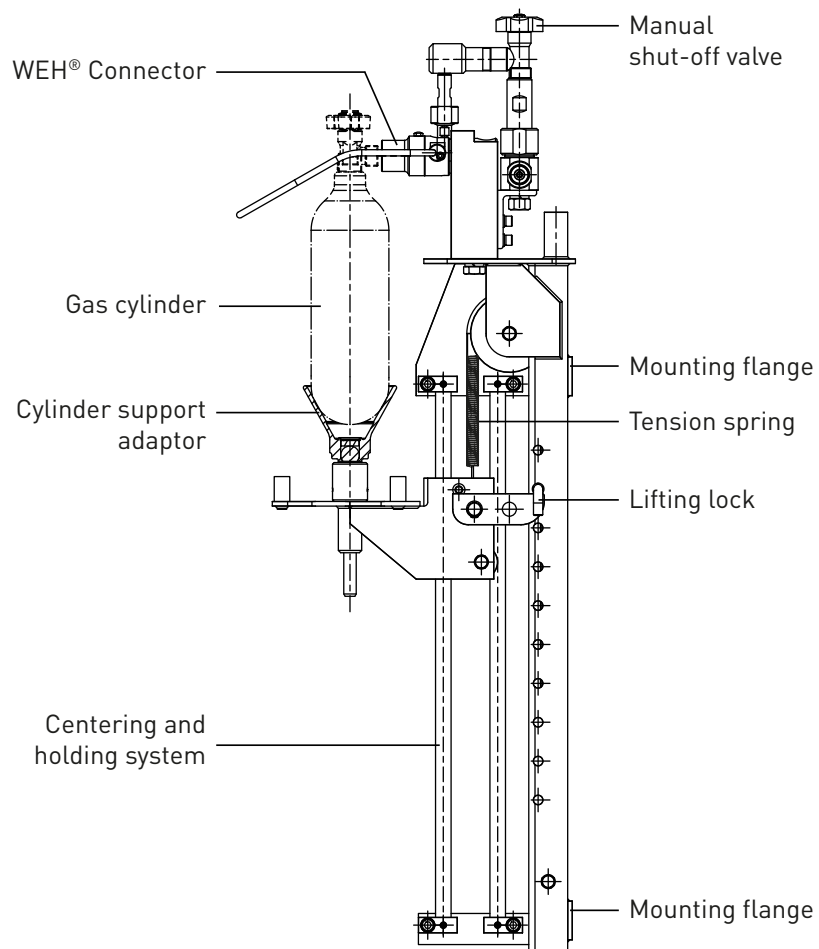
Example of use:



Function / Ordering

FUNCTION

Place the gas cylinder in the cylinder support adaptor, which is counterbalanced by the centering and holding system. If necessary press the cylinder down onto the spring balanced cylinder support until the lateral connection of the cylinder valve is facing the WEH® Connector. Insert the cylinder valve into / onto the WEH® Connector. Connect the cylinder valve to the WEH® Connector by lowering the operating handle of the connector. Open the manual stop valve and start filling the gas cylinder.



ORDERING | Linear filling rig TS150

| Part No. | Description | Pressure (PN) |
|------------|--|-------------------|
| On request | TS150 filling rig with WEH® Connector(s) | 200 bar / 300 bar |

Other products

OTHER PRODUCTS

You will find more products in our current catalogue no. 20



Further information on our homepage
www.weh.com

Abbreviations/Definition

Explanation of abbreviations see technical appendix in the catalogue or www.weh.com

Safe product selection

Our WEH® Products are designed to be operated by qualified professional users (insofar as WEH® Products are also designed to be operated by other users in individual cases, this is explicitly stated in the corresponding operating instructions). You alone are responsible for the selection of WEH® Products and their configuration according to the requirements of your system. In doing so, please particularly consider your intended use, your performance data, your material compatibility, your system concept and your system limits as well as your technical and legal requirements for operation, handling and maintenance. The quality and safety of WEH® Products is our highest priority. For this reason, WEH® Products may not be used outside the specifications in the relevant data sheets and product descriptions. We also strongly recommend that you refrain from using third-party spare parts or a combination of WEH® Products with unsuitable third-party products. You alone are responsible for reviewing the suitability of third-party products. WEH® Products and WEH® Spare parts comply with our quality and safety standards.

Explanation on the Pressure Equipment Directive

These WEH® Products are generally and exclusively classified as pressure accessories for piping in accordance with Article 2 (5) of the Pressure Equipment Directive 2014/68/EU. These WEH® Products may not be used (i) as safety accessories or (ii) for vessels as defined by the Pressure Equipment Directive 2014/68/EU. Therefore, the application of these WEH® Products must comply with their classification as pressure accessories for piping. The assessment with regard to a different classification can, however, be made on request.

External change management

WEH reserves the right to update, optimise and adjust its products continuously. This may result in corresponding changes of the product. Customers will be informed proactively or unsolicited by WEH only in individual cases about product updates, product optimisations and/or product adaptations that have been carried out. You are free to contact WEH at any time to request information about any product updates, product optimisations and/or product adjustments.

© All rights reserved, WEH GmbH. Any unauthorized use is strictly forbidden. Subject to alteration.
No liability will be assumed for any content. Herewith previous versions are no longer valid.

» Contact

For queries and further information, please do not hesitate to contact us.

Manufacturer:

WEH GmbH Precision Connectors

Josef-Henle-Str. 1
89257 Illertissen / Germany

Phone: +49 7303 9609-0

Email: sales@weh.com

www.weh.com