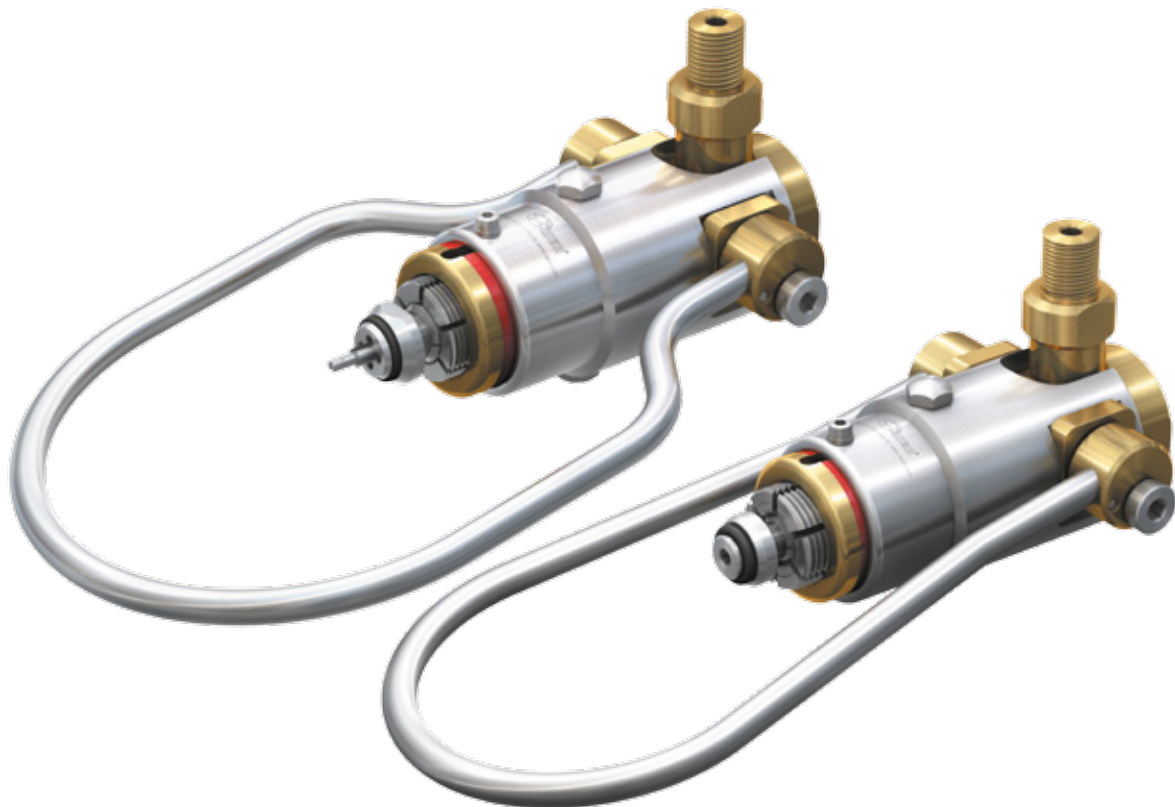


Type **TW54**

WEH[®] Connector for filling of gas cylinders

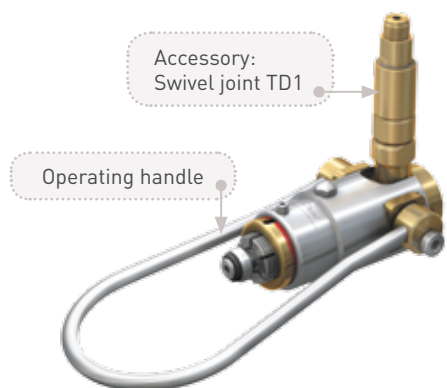
with female thread (with or without a residual pressure valve)

US Patent No. 6,375,1521B



General

DESCRIPTION



Features

- For gas cylinders with female thread
- Version for **residual pressure valves or non-residual pressure valves** available
- Connection in seconds
- No hand tightening required
- Easy to connect
- Right-hand and left-hand operation
- Suitable for pallet filling
- WEH® Jaw locking mechanism
- Compact design
- High-grade materials
- US Patent No. 6,375,1521B

The type TW54 quick connector for gas cylinder valves with female thread provides a pressure-tight connection in seconds. The split collet design system locks securely into the cylinder valve thread and seals tightly.

Safety features

A fully developed design with simple actuation controlling the functioning of the gas connector. The quick connector cannot be disconnected under pressure because a special safety peg protrudes and locks the connector against removal.

The TW54 quick connector has a red marking at the front part of the connector (see opposite picture) which shows when a proper connection has been made.

Type TW54 for oxygen has venting bores (see opposite picture) in the front sleeve for lateral venting of gas in case of accidental gas leakage, thus preventing pressure built-up in the connector.



TW54 with RPV pin and venting bores

The TW54 is available for 3,000 psi and 4,350 psi systems.

This quick connector is available for gas cylinder valves acc. to CGA 580, others on request. Connectors for oxygen applications are oxygen cleaned and free of oil and grease.

Application

Quick connector for filling of gas cylinders with female thread (with or without a residual pressure valve).

TECHNICAL DATA

Characteristic	Basic version
Pressure range	PN = 3,000 psi PS = 3,600 psi PT = 5,440 psi PN = 4,350 psi PS = 5,440 psi PT = 8,195 psi
Temperature range	+41 °F up to +176 °F +41 °F up to +140 °F [O ₂]
Connection A	Female thread connection acc. to CGA 580
Medium	Oxygen, nitrogen, CO ₂ , air, inert gases, medical gases
Actuation	Manual actuation via operating handle (handle depending on type of gas cylinder)
Material	Corrosion resistant stainless steel, brass
Sealing material	Acc. to gas type
Design	With or without RPV pin
Registration	PED97/23/EC: CE0036 Safety factor 1:4 acc. to CRN Adiabatic ignition test available

Other designs on request

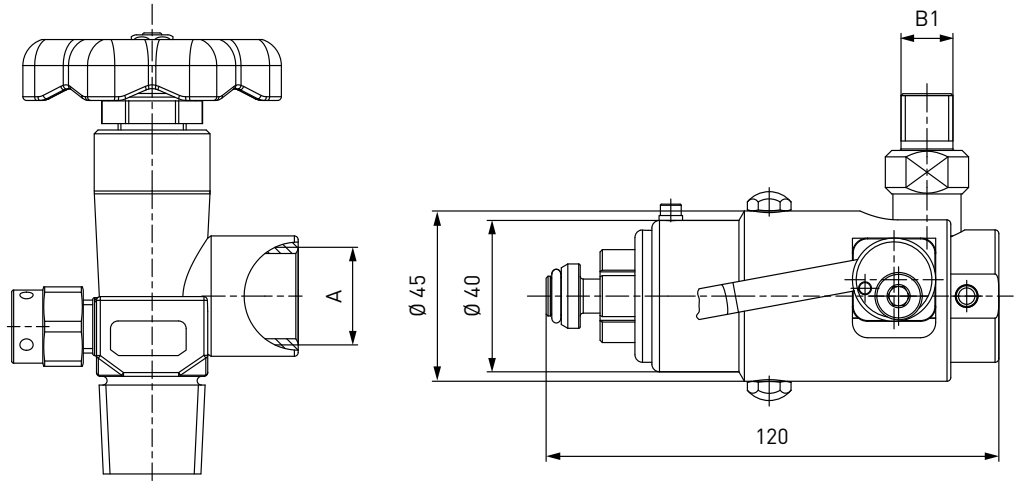
Example of use:



Ordering

ORDERING | Quick connector TW54 for non-residual pressure valves

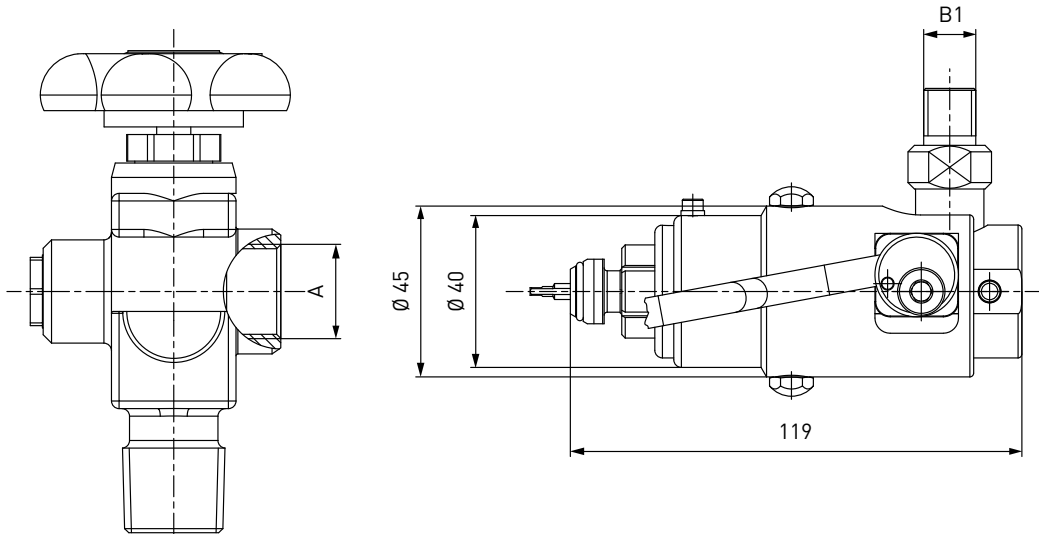
approx. dimensions (mm)



Part No.	Description	Pressure (PN)	Connection A	Inlet B1 (male thread)
On request	TW54	3,000 psi	On request	On request
On request	TW54	4,350 psi	On request	On request

ORDERING | Quick connector TW54 for residual pressure valves

approx. dimensions (mm)



Part No.	Description	Pressure (PN)	Connection A	Inlet B1 (male thread)
On request	TW54	3,000 psi	On request	On request
On request	TW54	4,350 psi	On request	On request

Other connector sizes and versions on request. Required information for ordering see page 7, catalog no. 20.

Accessories

ACCESSORIES

The following accessories are available for type TW54:

Swivel joint TD1

The TD1 swivel joint prevents twisting of the hose and enables the axial aligning of the connector.



Part No.	Description	Inlet B1 (male thread)	Connection B2 (female thread)
On request	TD1	On request	On request

Quick release coupling TK350-TN350

Quick release system for a quick and easy changeover of type TW54, whether for repair, to another type or a change from residual pressure to non-residual pressure cylinder valves.



Part No.	Description	Inlet B1 (male thread)	Connection B2 (female thread)
C1-91242	TK350-TN350	M16x1.5	M16x1.5

Actuations

For type TW54 various actuations, e.g. handles, wire ropes, manual lever handles etc. are available in different sizes and forms. Please contact us!

Locking devices

Additional locking devices are also available for type TW54. Please contact us!

Connection for pressure gauges

Quick connector incl. pressure gauge connection and venting valve for pressure monitoring of filled gas cylinders.



Part No.	Description
On request	TW54 incl. pressure gauge connection and venting valve

Accessories

Adaptors

Adaptors for connecting the quick connector to the filling hose are available on request.

Monel® construction

All pressurized parts are also available in Monel®. Please contact us!

Spare parts

Various parts are available as spares for type TW54:

Part No.	Description
On request	Spare seals

Other products

OTHER PRODUCTS

You will find more products in our current catalog No. 20



Further information on our homepage
www.weh.com

» Contacting

For queries and further information, please do not hesitate to contact us.

Manufacturer:

WEH GmbH Precision Connectors

Josef-Henle-Str. 1
89257 Illertissen / Germany

Phone: +49 7303 9609-0
Fax: +49 7303 9609-9999

Email: sales@weh.com
www.weh.com