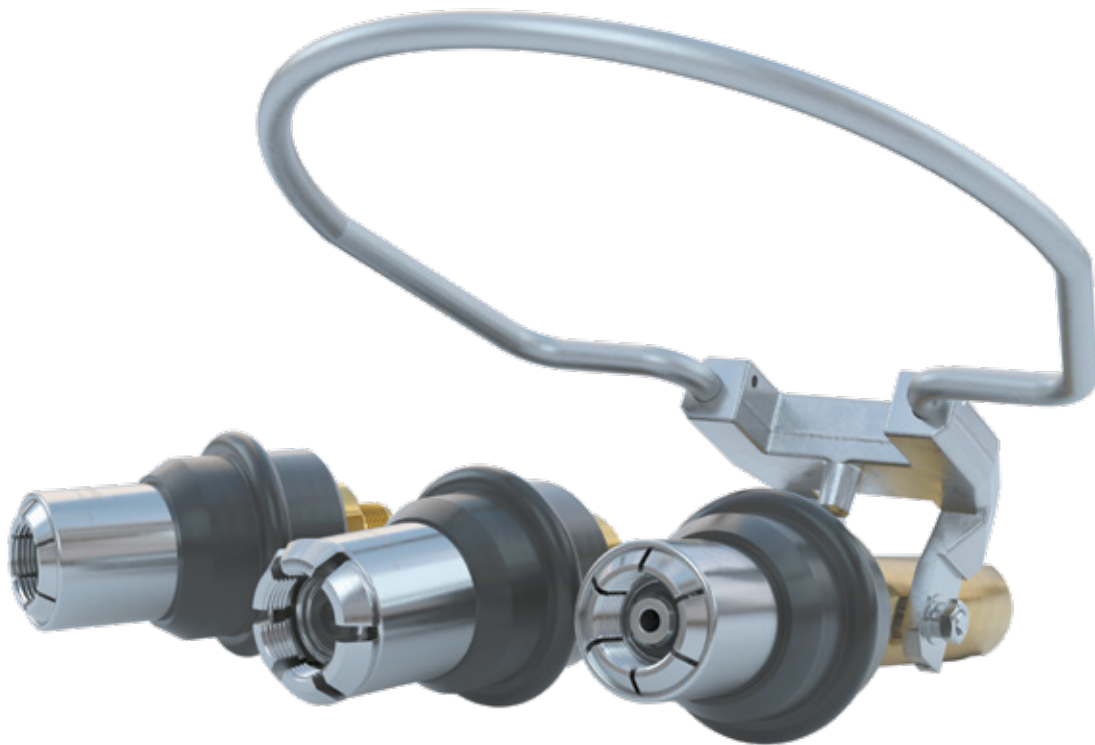


Type **TW52**

WEH[®] Connector for filling and evacuating of gas cylinders

with external thread (with or without a residual pressure valve) with CO₂ or refrigerants



General

DESCRIPTION



Features

- Suitable for filling of CO₂ or refrigerants
- Version for **residual pressure valves or non-residual pressure valves** available
- Connection in seconds
- No hand tightening required
- High safety due to pressure-assisted piston
- Environmentally friendly - a vent pipe recirculates the vented gas (in conjunction with TVCO₂)
- WEH® Jaw locking mechanism
- High-grade materials

The WEH® TW52 Quick connector has been developed especially for filling gas cylinders with gaseous and liquid CO₂ or refrigerants. Connection to the cylinder is made within seconds without tedious screwing and unscrewing, thus preventing RSI resulting in the inflammation of tendons and abrasion of joints. The TW52 is also suitable for filling one litre cylinders, e.g. for soda drinks.

The WEH® TW52 is equipped with a front seal of EPDM resp. polyurethane. Other sealing materials on request. It is the customer's responsibility to clarify the media compatibility.

The TW52 is optionally available with the WEH® TVCO₂ linear valve (see accessories).

This quick connector is available for gas cylinder valves acc. to DIN, BS, NF, CGA etc.



TW52 with TVCO₂ linear valve

Application

Quick connector for filling and evacuating (except version with TVCO₂ linear valve) of gas cylinders with external thread (with or without a residual pressure valve) with CO₂ or refrigerants.

TECHNICAL DATA

Characteristic	Basic version
Nominal bore DN	5 mm
Max. allowable operating pressure PS	250 bar 150 bar (TW52 with TVCO ₂ linear valve)
Temperature range	-40 °C up to +40 °C [CO ₂]
Connection A	External thread connection acc. to the corresponding national standard e.g. DIN, CGA, BS, NF etc.
Actuation	Manual actuation via grip sleeve
Material	Corrosion resistant stainless steel and brass
Sealing material	Front seal of EPDM resp. polyurethane (C1-16560, C1-17069)
Design	With or without RPV pin

Other designs on request

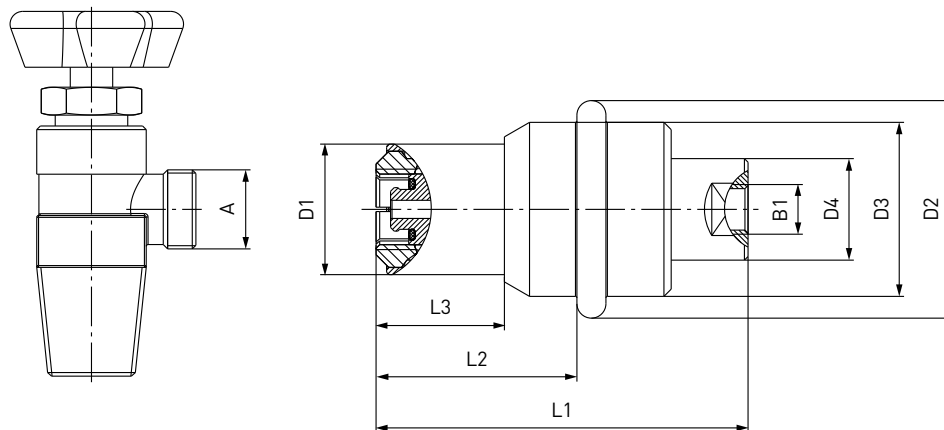
Example of use:



Ordering

ORDERING | WEH® TW52 Quick connector for non-residual pressure valves

approx. dimensions (mm)

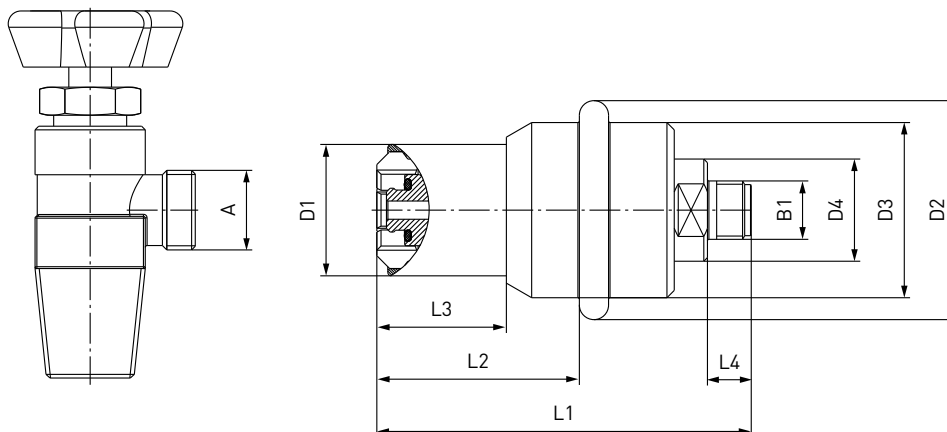


Part No.	Description	A [external thread]	B1 [internal thread]	D1	D2	D3	D4	L1	L2	L3
C1-16560-X01	TW52	G1/2"	G1/4"	38	60	48	28	103	55.5	35.5
C1-17069	TW52	TR21x4.5	G1/4"	36	60	48	28	103	55.5	35.5
C1-16564-X01	TW52	W21.8x1/14"*	G1/4"	36	60	48	28	103	55.5	35.5

* acc. to DIN 477

ORDERING | WEH® TW52 Quick connector for non-residual pressure valves (suitable for TVCO₂ linear valve)

approx. dimensions (mm)



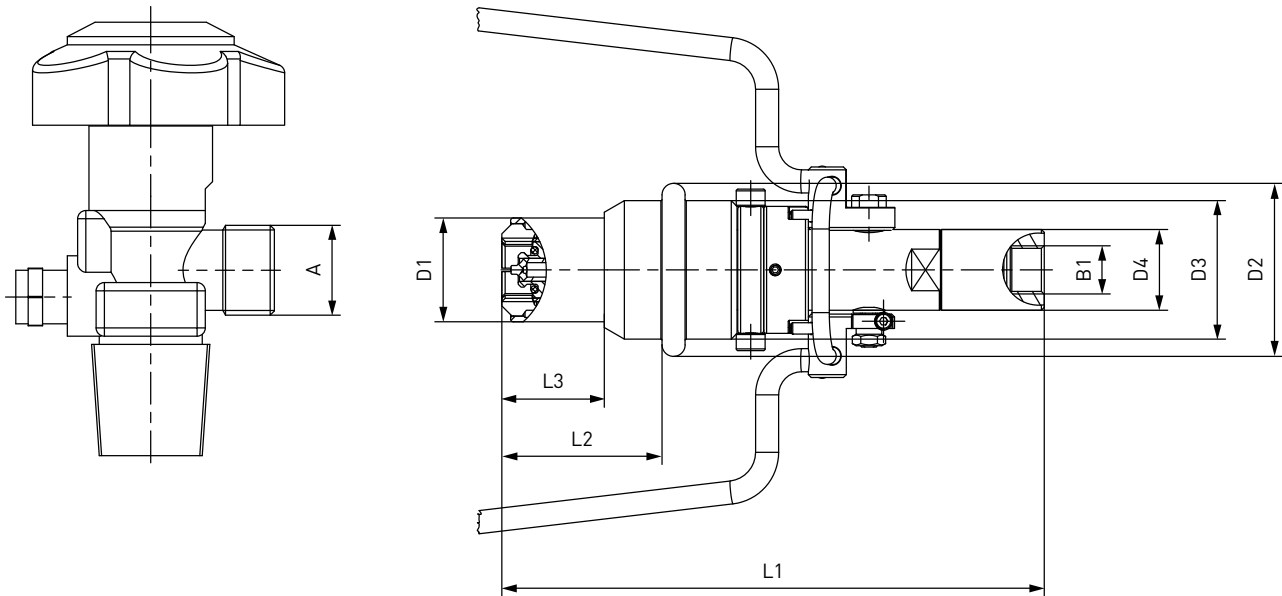
Part No.	Description	A [external thread]	B1 [external thread]	D1	D2	D3	D4	L1	L2	L3	L4
C1-16563	TW52	W21.8x1/14"*	M16x1.5	36	60	48	28	103	55.5	35.5	12

* acc. to DIN 477

Ordering

ORDERING | WEH® TW52 Quick connector for residual pressure valves (incl. linear valve)

approx. dimensions (mm)



Part No.	Description	A (external thread)	B1 (internal thread)	D1	D2	D3	D4	L1	L2	L3
C1-68486	TW52	W21.8x1/14"*	G3/8"	36	60	48	28	188	55.5	35.5

* acc. to DIN 477

Other connector sizes and versions on request.

Required information for ordering see page 7, catalogue no. 40.

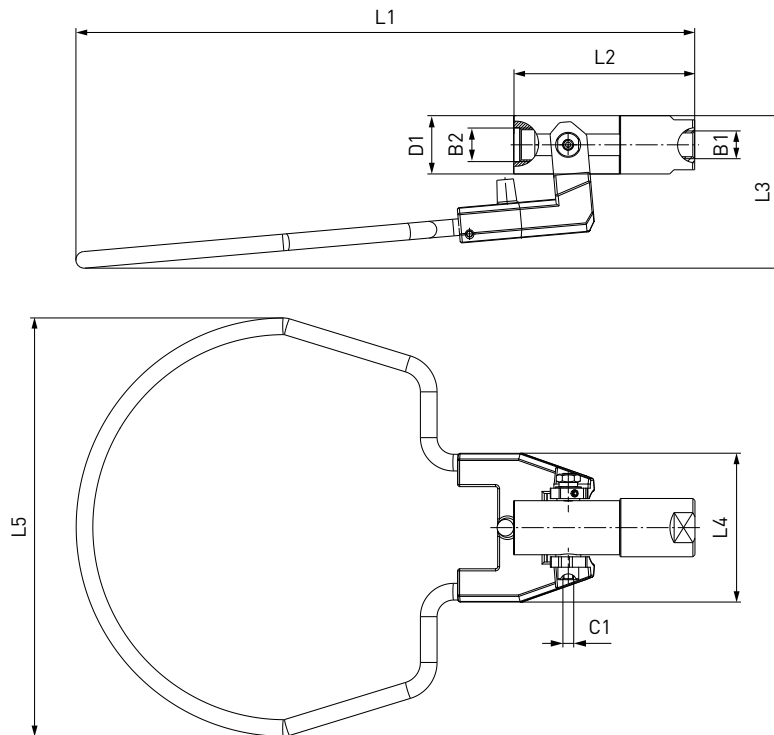
Accessories / Spare parts

ACCESSORIES

The following accessories are available for the WEH® TW52:

WEH® TVCO₂ Linear valve

The WEH® TVCO₂ Linear valve enables to start or finish filling. Simply connect the TVCO₂ to the inlet 'B1' of the TW52 quick connector. The residual gas can be vented completely to the system via a recirculation hose. This prevents CO₂ from escaping into the atmosphere (greenhouse effect).



Part No.	Description	B1 (internal thread)	B2 (internal thread)	C1	D1	L1	L2	L3	L4	L5
C1-34605	TVCO ₂	G1/4"	M16x1.5	M5	28	297	87	73	71.5	201

Other connector sizes and versions on request.

SPARE PARTS

Various parts are available as spares for the TW52 quick connector:

Part No.	Description
On request	Front seal

When ordering the front seal, please indicate the part no. engraved on the connector.

Other products

OTHER PRODUCTS

You will find more products in our current catalogue no. 40



Further information on our homepage
www.weh.com

Abbreviations/Definition

Explanation of abbreviations see technical appendix in the catalogue or www.weh.com

Safe product selection

Our WEH® Products are designed to be operated by qualified professional users (insofar as WEH® Products are also designed to be operated by other users in individual cases, this is explicitly stated in the corresponding operating instructions). You alone are responsible for the selection of WEH® Products and their configuration according to the requirements of your system. In doing so, please particularly consider your intended use, your performance data, your material compatibility, your system concept and your system limits as well as your technical and legal requirements for operation, handling and maintenance. The quality and safety of WEH® Products is our highest priority. For this reason, WEH® Products may not be used outside the specifications in the relevant Product data sheets and product descriptions. We also strongly recommend that you refrain from using third-party spare parts or a combination of WEH® Products with unsuitable third-party products. You alone are responsible for reviewing the suitability of third-party products. WEH® Products and WEH® Spare parts comply with our quality and safety standards.

Explanation on the Pressure Equipment Directive

These WEH® Products are generally and exclusively classified as pressure accessories for piping in accordance with Article 2 (5) of the Pressure Equipment Directive 2014/68/EU. These WEH® Products may not be used (i) as safety accessories or (ii) for vessels as defined by the Pressure Equipment Directive 2014/68/EU. Therefore, the application of these WEH® Products must comply with their classification as pressure accessories for piping. The assessment with regard to a different classification can, however, be made on request.

External change management

WEH reserves the right to update, optimise and adjust its products continuously. This may result in corresponding changes of the product. Customers will be informed proactively or unsolicited by WEH only in individual cases about product updates, product optimisations and/or product adaptations that have been carried out. You are free to contact WEH at any time to request information about any product updates, product optimisations and/or product adjustments.

© All rights reserved, WEH GmbH. Any unauthorized use is strictly forbidden. Subject to alteration.
No liability will be assumed for any content. Herewith previous versions are no longer valid.

» Contacting

For queries and further information, please do not hesitate to contact us.

Manufacturer:

WEH GmbH Precision Connectors

Josef-Henle-Str. 1
89257 Illertissen / Germany

Phone: +49 7303 9609-0
Fax: +49 7303 9609-9999

Email: sales@weh.com
www.weh.com