

Type **TVR5 H₂** WEH[®] Check Valve

for buses, trucks and fuelling stations



General

DESCRIPTION



Features

- Robust construction
- Low-noise opening and closing
- Corrosion resistant stainless steel
- High leak tightness

The WEH® TVR5 H₂ is the largest of our check valves. It is most efficient and developed specifically for H₂ buses and trucks. The check valve system is designed to minimize the effect of dirt particles on the sealing components within the unit. The WEH® TVR5 H₂ Check Valve is constructed of corrosion-resistant stainless steel achieving a very durable unit due to its robust internal structure.

Application

Check valve for buses and trucks, also suitable for installation in fuelling stations.

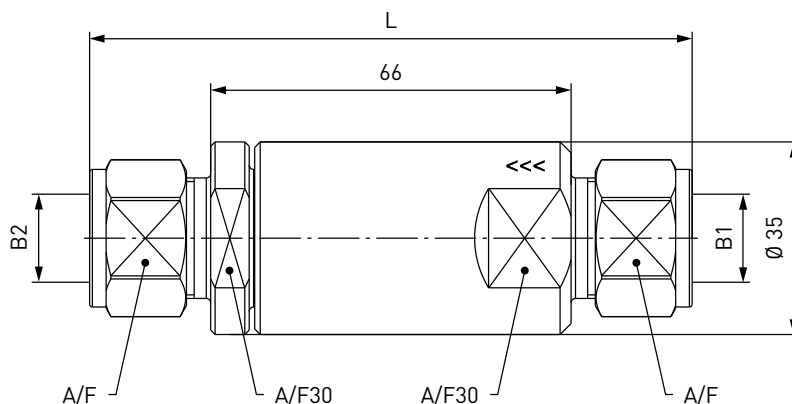
TECHNICAL DATA

| Characteristic | Basic version | Options |
|-------------------|--|------------|
| Nominal bore DN | Max. 14 mm, depending on design | On request |
| Pressure range | PN = 350 bar (5,000 psi) PS = 450 bar PT = 675 bar | |
| Temperature range | -40 °C up to +85 °C (-40 °F up to +185 °F) | On request |
| Material | Corrosion resistant stainless steel | On request |
| Sealing material | Hydrogen compatible | On request |
| Design | Incl. fittings (only for check valves with tube fitting) | On request |
| Registration | PED97/23/EC: CE0036 | |

Ordering

ORDERING | WEH® TVR5 H₂ Check Valve with tube fitting on both sides

approx. dimensions (mm)

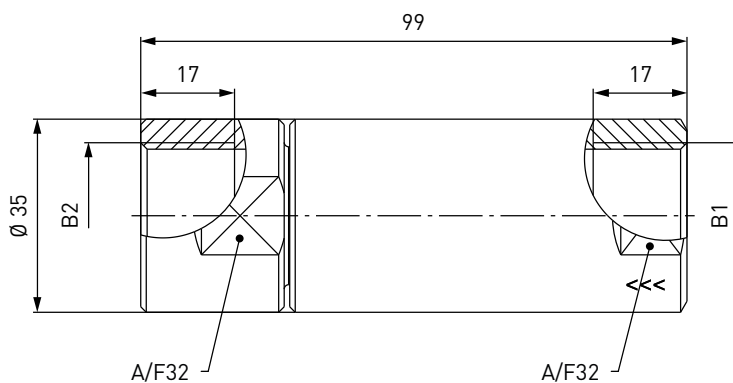


| Part No. | Description | DN | Pressure (PN) | Inlet B1 | Outlet B2 | L | A/F |
|-----------------|---------------------|----|---------------------|------------|------------|-----|-----|
| C1-30216 | TVR5 H ₂ | 11 | 350 bar / 5,000 psi | Tube Ø 12* | Tube Ø 12* | 110 | 22 |
| C1-30215 | TVR5 H ₂ | 14 | 350 bar / 5,000 psi | Tube Ø 16* | Tube Ø 16* | 111 | 25 |

* double ferrule fitting

ORDERING | WEH® TVR5 H₂ Check Valve with internal thread on both sides

approx. dimensions (mm)



| Part No. | Description | DN | Pressure (PN) | Inlet B1 (internal thread) | Outlet B2 (internal thread) |
|-----------------|---------------------|----|---------------------|----------------------------|-----------------------------|
| C1-43326 | TVR5 H ₂ | 12 | 350 bar / 5,000 psi | G3/4"* | G3/4"* |

* acc. to DIN 3852-2

Other connection sizes and versions on request.

Other products

OTHER PRODUCTS

You will find more products in our current catalogue no. 50



Further information on our homepage
www.weh.com

» Contacting

For queries and further information, please do not hesitate to contact us.

Manufacturer:

WEH GmbH Gas Technology

Josef-Henle-Str. 1
89257 Illertissen / Germany

Phone: +49 7303 95190-0

Fax: +49 7303 95190-9999

eMail: h2sales@weh.com

www.weh.com