

Type **TVR2**

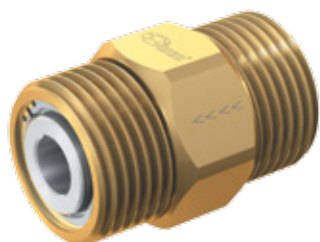
Check valve

for use with gaseous media and for mounting into gas mixing plants



General

DESCRIPTION



Features

- Extremely leak tight
- Very low noise when in use due to the optimised internal gas flow
- Wear and corrosion resistant
- Robust construction
- Simple installation

WEH has developed a new check valve specially designed for mounting into gas mixing plants. It is available for inert / flammable gases and oxygen.

The check valve system is designed to minimize the effect of dirt particles on the sealing components within the unit. The check valves are silent in use even under high flow conditions and offer high leak integrity, thus being perfectly suited for applications with gaseous media. They also feature robust interior construction making them very durable in operation.

Application

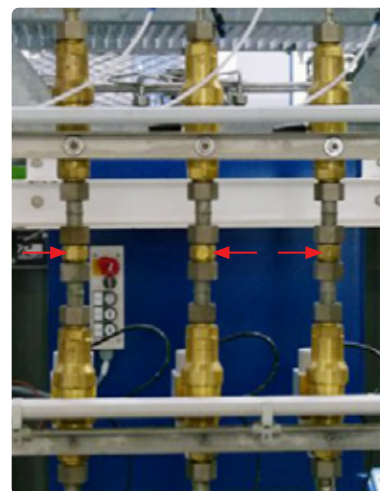
Check valve for use with gaseous media and for mounting into gas mixing plants. Also suitable for vacuum applications.

TECHNICAL DATA

Characteristic	Basic version	
Nominal bore DN	12 mm	
Pressure range	PN = 350 bar PS = 420 bar PT = 630 bar	
Leak rate	5 x 10 ⁻³ mbar x l/s	
Medium	Inert/flammable gases	Oxygen
Temperature range	+5 °C up to +95 °C	+5 °C up to +60 °C
Material	Housing of brass, valve body of stainless steel	Housing of brass, valve body of Monel®
Ventilsitz	Cone seal of PEEK / corrosion resistant steel	Cone seal of copper / Monel®
Sealing material	EPDM	
Registration	PED97/23/EC: CE0036	PED97/23/EC: CE0036 Adiabatic ignition test available

Other designs on request

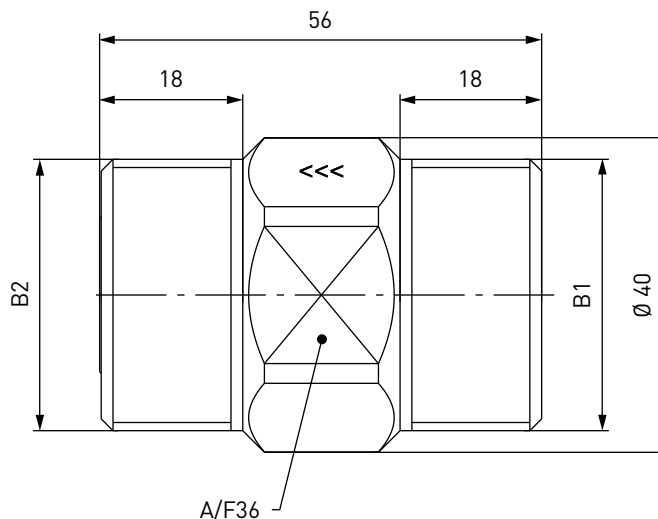
Example of use:



Ordering / Accessories

ORDERING | Special check valve TVR2

approx. dimensions (mm)



Part No.	Description	Cracking pressure PC (bar)	Inlet B1 (external thread)	Connection B2 (external thread)
C1-77200	TVR2	0.15 ± 0.05	UNF 1 3/8"-12*	UNF 1 3/8"-12*
C1-93517**	TVR2	0.22 ± 0.05	UNF 1 3/8"-12*	UNF 1 3/8"-12*

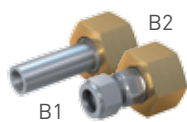
* acc. to SAE J514
 ** for oxygen

ACCESSORIES

The following accessories are available for type TVR2:

Adaptors / welding adaptors

For the ports 'B1/B2' of the check valve various adaptors and welding adaptors are available.



Part No.	Description	Connection B1	Connection B2 (internal thread)
C1-98542	Adaptor	Tube Ø 12**	UNF 1 3/8"-12 plane sealing
C1-75267	Adaptor	Tube Ø 16***	UNF 1 3/8"-12 plane sealing
C1-75940	Adaptor	Tube Ø 16**	UNF 1 3/8"-12 plane sealing
C1-88193*	Welding adaptor	Tube Ø 20	UNF 1 3/8"-12 plane sealing
C1-84783	Welding adaptor	Tube Ø 16	UNF 1 3/8"-12 plane sealing

* for oxygen
 ** double ferrule fitting
 *** 24° cone (Ermeto)

Other products

OTHER PRODUCTS

You will find more products in our current catalogue No. 20



Further information on our homepage
www.weh.com

» Contacting

For queries and further information, please do not hesitate to contact us.

Manufacturer:

WEH GmbH Precision Connectors

Josef-Henle-Str. 1
89257 Illertissen / Germany

Phone: +49 7303 9609-0
Fax: +49 7303 9609-9999

eMail: sales@weh.com
www.weh.com