

# Type **TVR61**

**WEH**<sup>®</sup> Check valve

of brass



## General

### DESCRIPTION



#### Features

- Brass MS58 (CuZn39Pb3 / CZ121)
- Full flow, high flow rate
- Minimum pressure loss
- Compact dimensions
- Average leak tightness
- Low-noise opening and closing

The check valves of the series type TVR61 are featuring low-noise operation and have a high flow rate. The valves can be installed in any position. Only the flow direction must be considered.

#### Application

Hydraulic and pneumatic applications in plant engineerings, also suitable in applications with submersible pumps, pressure vessels, air conditioning systems, heating systems etc.

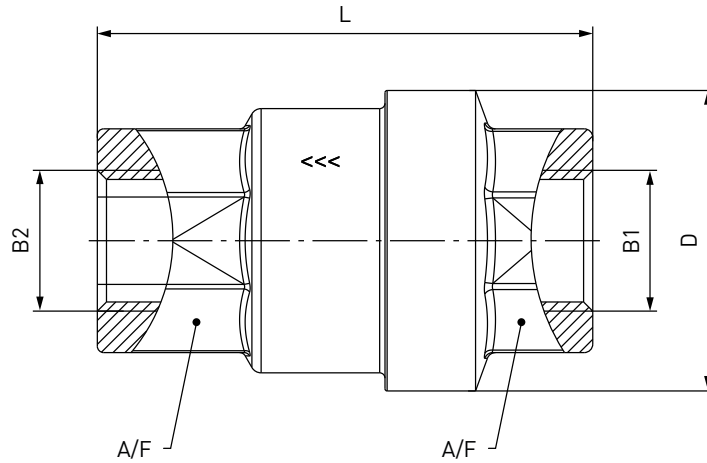
### TECHNICAL DATA

Characteristic	Basic version	Options
Inlet B1 / outlet B2	G1/4" - G2" internal thread	Up to max. G3" internal thread on request
Nominal bore DN	10 up to 50 mm	On request
Nominal pressure PN	Min. 0.05 bar - max. 48 bar, acc. to body size	On request
Cracking pressure PC	Min. 0.03 bar	On request
Temperature range	-20 °C up to max. +135 °C	On request
Medium	Cold and hot water, compressed air, oils	On request
Material	Housing of brass MS58 (CuZn39Pb3 / CZ121), inner parts of POM	On request
Spring material	Stainless steel	On request
Sealing material	FKM	On request
Valve seat	Cone seal	On request

**Ordering**

**ORDERING** | TVR61 Check Valve with internal thread on both sides (DIN ISO 228-1)

approx. dimensions (mm)



Part No.	DN	B1 / B2 (internal thread)	PN (bar)	PC (bar)	D	L	A/F
<b>C1-89289</b>	10	G1/4"	48	0.03	28.0	46.5	21
<b>C1-89290</b>	10	G3/8"	48	0.03	28.0	46.5	21
<b>C1-89292</b>	15	G1/2"	42	0.03	34.0	48.0	26
<b>C1-89293</b>	20	G3/4"	35	0.03	41.5	59.0	32
<b>C1-89294</b>	25	G1"	30	0.03	50.0	67.5	39
<b>C1-89295</b>	32	G 1 1/4"	25	0.03	60.5	76.0	49
<b>C1-89296</b>	40	G 1 1/2"	25	0.03	73.0	90.0	56
<b>C1-89297</b>	50	G2"	20	0.03x	88.5	100.0	68

Other connector sizes and versions are available on request

## Other products

### OTHER PRODUCTS

You will find more products in our current catalogue no. 45



Further information on our homepage  
[www.weh.com](http://www.weh.com)

### » Contacting

For queries and further information, please do not hesitate to contact us.

*Manufacturer:*

**WEH GmbH Precision Connectors**

Josef-Henle-Str. 1  
89257 Illertissen / Germany

Phone: +49 7303 9609-0  
Fax: +49 7303 9609-9999

eMail: [sales@weh.com](mailto:sales@weh.com)  
[www.weh.com](http://www.weh.com)