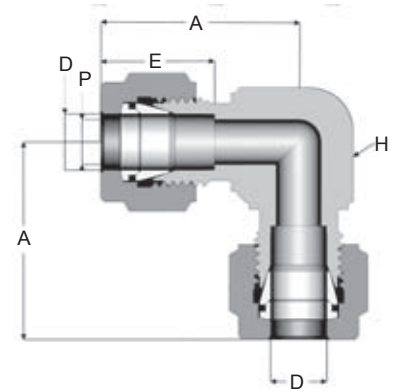


ELBOW | EQS

APPLICATION

Connects two tubes of the same dimension at a 90° angle.

Special requirements on request



TUBE SIZE - METRIC (mm)

D	Reference	A	E	H	P
3	EQS* 3	23,25	12,9	12	2,4
4	EQS* 4	24,05	13,7	12	3,2
6	EQS* 6	27,2	15,3	14	4,8
8	EQS* 8	28,1	16,2	14	6,4
10	EQS* 10	32,6	17,2	19	7,1
12	EQS* 12	36,3	22,8	22	9,5
14	EQS* 14	37,1	24,4	24	11,1
16	EQS* 16	37,1	24,4	24	12,7
18	EQS* 18	39,5	24,4	27	15,1
20	EQS* 20	41,85	26,0	30	15,9
22	EQS* 22	41,05	26,0	30	19,1
25	EQS* 25	45,55	31,3	36	22,2

*Specify material when ordering. See page 8 for materials and codes.

TUBE SIZE - FRACTIONAL (inch)

D	Reference	A	E	H (mm)	P
1/16"	EQS* 1/16	0.70	0.34	12	3/64"
1/8"	EQS* 1/8	0.91	0.51	12	3/32"
3/16"	EQS* 3/16	0.94	0.54	12	1/8"
1/4"	EQS* 1/4	1.07	0.60	14	3/16"
5/16"	EQS* 5/16	1.11	0.64	14	1/4"
3/8"	EQS* 3/8	1.27	0.68	19	9/32"
1/2"	EQS* 1/2	1.43	0.90	22	13/32"
5/8"	EQS* 5/8	1.46	0.96	24	1/2"
3/4"	EQS* 3/4	1.56	0.96	27	5/8"
7/8"	EQS* 7/8	1.62	1.02	30	3/4"
1"	EQS* 1"	1.80	1.23	36	7/8"

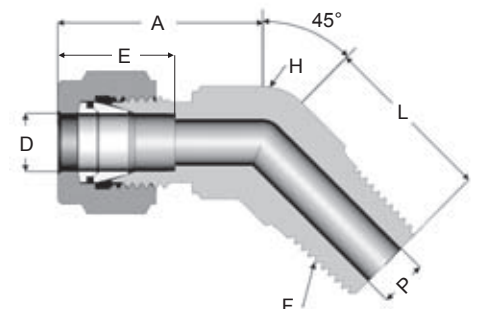
Hex flats (H) are metric. Fractional upon request
*Specify material when ordering. See page 8 for materials and codes.

45° MALE ELBOW | EQM45S

APPLICATION

Connects a tube with a female taper-threaded apparatus or pipe at a 45° angle.

Special requirements on request



NPT (N)

TUBE SIZE - METRIC (mm)

D	F	Reference	A	E	H	L	P
6	1/8"	EQM45S* 6 1/8 N	27,2	15,3	14	19,1	4,8
6	1/4"	EQM45S* 6 1/4 N	27,2	15,3	14	23,8	4,8

*Specify material when ordering. See page 8 for materials and codes.

TUBE SIZE - FRACTIONAL (inch)

D	F	Reference	A	E	H (mm)	L	P
1/4"	1/8"	EQM45S* 1/4 1/8 N	1.07	0.60	14	3/4"	3/16"
1/4"	1/4"	EQM45S* 1/4 1/4 N	1.07	0.60	14	15/16"	3/16"
3/8"	1/8"	EQM45S* 3/8 1/8 N	1.27	0.68	19	7/8"	3/16"
3/8"	1/4"	EQM45S* 3/8 1/4 N	1.27	0.68	19	1 1/16"	9/32"
1/2"	1/4"	EQM45S* 1/2 1/4 N	1.43	0.90	22	1 1/8"	9/32"
1/2"	3/8"	EQM45S* 1/2 3/8 N	1.43	0.90	22	1 1/8"	3/8"

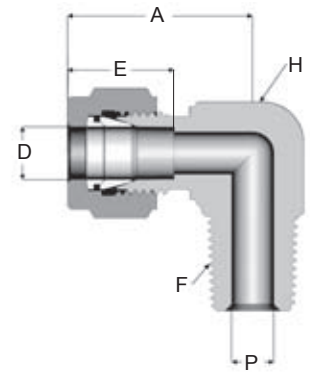
Hex flats (H) are metric. Fractional upon request
*Specify material when ordering. See page 8 for materials and codes.

MALE ELBOW | EQMS

APPLICATION

Connects a tube to a female threaded apparatus or pipe on a 90° angle.

Special requirements on request



NPT (N)

TUBE SIZE - METRIC (mm)

D	F	Reference	A	E	H (mm)	P
3	1/8"	EQMS* 3 1/8 N	23,3	12,9	12	2,4
3	1/4"	EQMS* 3 1/4 N	24,9	12,9	14	2,4
4	1/8"	EQMS* 4 1/8 N	24,1	13,7	12	3,2
6	1/8"	EQMS* 6 1/8 N	27,2	15,3	14	4,8
6	1/4"	EQMS* 6 1/4 N	27,2	15,3	14	4,8
6	3/8"	EQMS* 6 3/8 N	29,7	15,3	19	4,8
6	1/2"	EQMS* 6 1/2 N	31,9	15,3	22	4,8
8	1/8"	EQMS* 8 1/8 N	28,1	16,2	14	4,8
8	1/4"	EQMS* 8 1/4 N	28,1	16,2	14	6,4
8	3/8"	EQMS* 8 3/8 N	28,1	16,2	19	6,4
8	1/2"	EQMS* 8 1/2 N	28,1	16,2	22	6,4
10	1/8"	EQMS* 10 1/8 N	32,2	17,2	19	7,1
10	1/4"	EQMS* 10 1/4 N	32,2	17,2	19	7,1
10	3/8"	EQMS* 10 3/8 N	31,0	17,2	19	7,1
10	1/2"	EQMS* 10 1/2 N	31,8	17,2	22	7,1
12	1/4"	EQMS* 12 1/4 N	36,3	22,8	22	7,1
12	3/8"	EQMS* 12 3/8 N	36,3	22,8	22	9,5
12	1/2"	EQMS* 12 1/2 N	36,3	22,8	22	9,5
12	3/4"	EQMS* 12 3/4 N	36,3	22,8	27	9,5
14	3/8"	EQMS* 14 3/8 N	36,6	24,4	24	7,1
14	1/2"	EQMS* 14 1/2 N	36,6	24,4	24	9,5
16	3/8"	EQMS* 16 3/8 N	37,1	24,4	24	9,5
16	1/2"	EQMS* 16 1/2 N	37,1	24,4	24	11,9
16	3/4"	EQMS* 16 3/4 N	37,1	24,4	27	13
18	1/2"	EQMS* 18 1/2 N	39,5	26,0	27	11,9
18	3/4"	EQMS* 18 3/4 N	39,5	26,0	27	15,1
20	1/2"	EQMS* 20 1/2 N	41,1	26,0	30	11,9
20	3/4"	EQMS* 20 3/4 N	41,1	26,0	30	15,9
22	3/4"	EQMS* 22 3/4 N	41,1	26,0	30	15,9
22	1"	EQMS* 22 1 N	41,1	26	36	18,5
25	3/4"	EQMS* 25 3/4 N	45,6	31,3	36	15,9
25	1"	EQMS* 25 1" N	45,6	31,3	36	22,2

*Specify material when ordering. See page 8 for materials and codes.

TUBE SIZE - FRACTIONAL (inch)

D	F	Reference	A	E	H (mm)	P
1/16"	1/16"	EQMS* 1/16 1/16 N	0.70	0.34	8	3/16"
1/16"	1/8"	EQMS* 1/16 1/8 N	0.92	0.34	12	3/16"
1/8"	1/8"	EQMS* 1/8 1/8 N	0.92	0.51	12	3/32"
1/8"	1/4"	EQMS* 1/8 1/4 N	0.98	0.51	14	3/32"
3/16"	1/8"	EQMS* 3/16 1/8 N	0.95	0.54	12	3/32"
1/4"	1/8"	EQMS* 1/4 1/8 N	1.46	0.96	14	3/16"
1/4"	1/4"	EQMS* 1/4 1/4 N	1.56	1.02	14	3/16"
1/4"	3/8"	EQMS* 1/4 3/8 N	1.17	0.60	19	3/16"
1/4"	1/2"	EQMS* 1/4 1/2 N	1.20	0.60	22	3/16"
5/16"	1/8"	EQMS* 5/16 1/8 N	1.11	0.64	14	3/16"
5/16"	1/4"	EQMS* 5/16 1/4 N	1.11	0.64	14	1/4"
3/8"	1/8"	EQMS* 3/8 1/8 N	1.80	1.23	19	3/16"
3/8"	1/4"	EQMS* 3/8 1/4 N	1.80	1.23	19	9/32"
3/8"	3/8"	EQMS* 3/8 3/8 N	1.22	0.68	19	9/32"
3/8"	1/2"	EQMS* 3/8 1/2 N	1.25	0.68	22	9/32"
1/2"	1/4"	EQMS* 1/2 1/4 N	1.43	0.90	22	9/32"
1/2"	3/8"	EQMS* 1/2 3/8 N	1.43	0.90	22	3/8"
1/2"	1/2"	EQMS* 1/2 1/2 N	1.43	0.90	22	3/8"
1/2"	3/4"	EQMS* 1/2 3/4 N	1.56	0.90	22	3/8"
5/8"	3/8"	EQMS* 5/8 3/8 N	1.46	0.96	24	3/8"
5/8"	1/2"	EQMS* 5/8 1/2 N	1.46	0.96	24	1/2"
3/4"	1/2"	EQMS* 3/4 1/2 N	1.56	1.02	27	5/8"
3/4"	3/4"	EQMS* 3/4 3/4 N	1.56	1.02	27	5/8"
7/8"	3/4"	EQMS* 7/8 3/4 N	1.62	1.02	30	3/4"
1"	3/4"	EQMS* 1" 3/4 N	1.80	1.23	36	5/8"
1"	1"	EQMS* 1" 1" N	1.80	1.23	36	7/8"

Hex flats (H) are metric. Fractional upon request
*Specify material when ordering. See page 8 for materials and codes.

MALE ELBOW | EQMS

BSPT - ISO BSP Tapered Thread (T)

TUBE SIZE - METRIC (mm)

D	F	Reference	A	E	H (mm)	P
3	1/8"	EQMS* 3 1/8 T	23,3	12,9	12	2,4
3	1/4"	EQMS* 3 1/4 T	24,9	12,9	14	2,4
4	1/8"	EQMS* 4 1/8 T	24,1	13,7	12	3,2
6	1/8"	EQMS* 6 1/8 T	27,2	15,3	14	4,8
6	1/4"	EQMS* 6 1/4 T	27,2	15,3	14	4,8
6	3/8"	EQMS* 6 3/8 T	29,7	15,3	19	4,8
6	1/2"	EQMS* 6 1/2 T	31,9	15,3	22	4,8
8	1/8"	EQMS* 8 1/8 T	28,1	16,2	14	4,8
8	1/4"	EQMS* 8 1/4 T	28,1	16,2	14	6,4
8	3/8"	EQMS* 8 3/8 T	28,1	16,2	19	6,4
8	1/2"	EQMS* 8 1/2 T	28,1	16,2	22	6,4
10	1/8"	EQMS* 10 1/8 T	32,2	17,2	19	7,1
10	1/4"	EQMS* 10 1/4 T	32,2	17,2	19	7,1
10	3/8"	EQMS* 10 3/8 T	31,0	17,2	19	7,1
10	1/2"	EQMS* 10 1/2 T	31,8	17,2	22	7,1
12	1/4"	EQMS* 12 1/4 T	36,3	22,8	22	7,1
12	3/8"	EQMS* 12 3/8 T	36,3	22,8	22	9,5
12	1/2"	EQMS* 12 1/2 T	36,3	22,8	22	9,5
12	3/4"	EQMS* 12 3/4 T	36,3	22,8	27	9,5
14	3/8"	EQMS* 14 3/8 T	36,6	24,4	24	7,1
14	1/2"	EQMS* 14 1/2 T	36,6	24,4	24	9,5
16	3/8"	EQMS* 16 3/8 T	37,1	24,4	24	9,5
16	1/2"	EQMS* 16 1/2 T	37,1	24,4	24	11,9
18	1/2"	EQMS* 18 1/2 T	39,5	26,0	27	11,9
18	3/4"	EQMS* 18 3/4 T	39,5	26,0	27	15,1
20	1/2"	EQMS* 20 1/2 T	41,1	26,0	30	11,9
20	3/4"	EQMS* 20 3/4 T	41,1	26,0	30	15,9
22	3/4"	EQMS* 22 3/4 T	41,1	26,0	30	15,9
22	1"	EQMS* 22 1 T	41,1	26	36	18,5
25	3/4"	EQMS* 25 3/4 T	45,6	31,3	36	15,9
25	1"	EQMS* 25 1 T	45,6	31,3	36	22,2

*Specify material when ordering. See page 8 for materials and codes.

TUBE SIZE - FRACTIONAL (inch)

D	F	Reference	A	E	H (mm)	P
1/16"	1/16"	EQMS* 1/16 1/16 T	0.70	0.34	8	3/16"
1/16"	1/8"	EQMS* 1/16 1/8 T	0.92	0.34	12	3/16"
1/8"	1/8"	EQMS* 1/8 1/8 T	0.92	0.51	12	3/32"
1/8"	1/4"	EQMS* 1/8 1/4 T	0.98	0.51	14	3/32"
1/4"	1/8"	EQMS* 1/4 1/8 T	1.46	0.96	14	3/16"
1/4"	1/4"	EQMS* 1/4 1/4 T	1.56	1.02	14	3/16"
1/4"	3/8"	EQMS* 1/4 3/8 T	1.17	0.60	19	3/16"
1/4"	1/2"	EQMS* 1/4 1/2 T	1.20	0.60	22	3/16"
5/16"	1/4"	EQMS* 5/16 1/4 T	1.11	0.64	14	1/4"
3/8"	1/8"	EQMS* 3/8 1/8 T	1.80	1.23	19	3/16"
3/8"	1/4"	EQMS* 3/8 1/4 T	1.80	1.23	19	9/32"
3/8"	3/8"	EQMS* 3/8 3/8 T	1.22	0.68	19	9/32"
1/2"	1/4"	EQMS* 1/2 1/4 T	1.43	0.90	22	9/32"
1/2"	3/8"	EQMS* 1/2 3/8 T	1.43	0.90	22	3/8"
1/2"	1/2"	EQMS* 1/2 1/2 T	1.43	0.90	22	3/8"
3/4"	1/2"	EQMS* 3/4 1/2 T	1.56	1.02	27	5/8"
1"	1"	EQMS* 1" 1" T	1.80	1.23	36	7/8"

Hex flats (H) are metric. Fractional upon request
*Specify material when ordering. See page 8 for materials and codes.

BSPP - ISO BSP Parallel Thread (G)

TUBE SIZE - METRIC (mm)

D	F	Reference	A	E	H (mm)	P
6	1/8"	EQMS* 6 1/8 G	27,2	15,3	14	4,8
6	1/4"	EQMS* 6 1/4 G	27,2	15,3	14	4,8
6	3/8"	EQMS* 6 3/8 G	29,7	15,3	19	4,8
12	3/8"	EQMS* 12 3/8 G	36,3	22,8	22	9,5
12	1/2"	EQMS* 12 1/2 G	36,3	22,8	22	9,5
12	3/4"	EQMS* 12 3/4 G	36,3	22,8	27	9,5
16	1/2"	EQMS* 16 1/2 G	37,1	24,4	24	11,9

BSPP G end connections should be used with sealing gaskets.
See page 9 for further information. See page 59 for gaskets.
*Specify material when ordering. See page 8 for materials and codes.

TUBE SIZE - FRACTIONAL (inch)

D	F	Reference	A	E	H (mm)	P
1/8"	1/4"	EQMS* 1/8 1/4 G	0.98	0.51	14	3/32"
1/4"	1/8"	EQMS* 1/4 1/8 G	1.10	0.60	14	3/16"
1/4"	3/8"	EQMS* 1/4 3/8 G	1.17	0.60	19	3/16"
1/4"	1/2"	EQMS* 1/4 1/2 G	1.20	0.60	22	3/16"
3/8"	3/8"	EQMS* 3/8 3/8 G	1.22	0.68	19	9/32"
1/2"	3/8"	EQMS* 1/2 3/8 G	1.43	0.90	22	3/8"
1/2"	1/2"	EQMS* 1/2 1/2 G	1.43	0.90	22	3/8"
3/4"	3/4"	EQMS* 3/4 3/4 G	1.56	1.02	27	5/8"

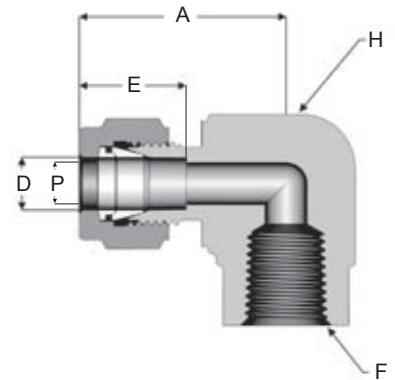
Hex flats (H) are metric. Fractional upon request
*Specify material when ordering. See page 8 for materials and codes.

FEMALE ELBOW | EQFS

APPLICATION

Connects a tube to a male taper-threaded apparatus or pipe at a 90° angle.

Special requirements on request



NPT (N)

TUBE SIZE - METRIC (mm)

D	F	Reference	A	E	H	P
3	1/4"	EQFS* 3 1/4 N	28	12,9	19	2,4
6	1/8"	EQFS* 6 1/8 N	27,2	15,3	14	4,8
6	1/4"	EQFS* 6 1/4 N	30,4	15,3	19	4,8
6	1/2"	EQFS* 6 1/2 N	34,6	15,3	27	4,8
8	1/4"	EQFS* 8 1/4 N	31,3	16,2	19	6,4
10	1/8"	EQFS* 10 1/8 N	32,2	17,2	19	8
10	1/4"	EQFS* 10 1/4 N	32,2	17,2	19	8
10	3/8"	EQFS* 10 3/8 N	33,8	17,2	22	8
10	1/2"	EQFS* 10 1/2 N	37,0	17,2	27	8
12	1/4"	EQFS* 12 1/4 N	36,3	22,8	22	7,1
12	1/2"	EQFS* 12 1/2 N	39,5	22,8	27	9,5
16	1/2"	EQFS* 16 1/2 N	39,5	24,4	27	11,9
20	3/4"	EQFS* 20 3/4 N	41,1	26,0	36	15,9

*Specify material when ordering. See page 8 for materials and codes.

TUBE SIZE - FRACTIONAL (inch)

D	F	Reference	A	E	H (mm)	P
1/16"	1/16"	EQFS* 1/16 1/16 N	0,7	0.5	12	3/16"
1/8"	1/8"	EQFS* 1/8 1/8 N	0.97	0.51	14	3/32"
1/8"	1/4"	EQFS* 1/8 1/4 N	1.09	0.51	19	3/32"
3/16"	1/8"	EQFS* 3/16 1/8 N	0.95	0.54	14	5/16"
1/4"	1/8"	EQFS* 1/4 1/8 N	1.00	0.60	14	3/16"
1/4"	1/4"	EQFS* 1/4 1/4 N	1.17	0.60	19	3/16"
1/4"	3/8"	EQFS* 1/4 3/8 N	1.26	0.60	22	3/16"
1/4"	1/2"	EQFS* 1/4 1/2 N	1.44	0.60	27	9/32"
5/16"	1/8"	EQFS* 5/16 1/8 N	1.11	0.64	14	1/4"
5/16"	1/4"	EQFS* 5/16 1/4 N	1.23	0.64	19	1/4"
3/8"	1/8"	EQFS* 3/8 1/8 N	1.26	0.66	19	9/32"
3/8"	1/4"	EQFS* 3/8 1/4 N	1.26	0.66	19	9/32"
3/8"	3/8"	EQFS* 3/8 3/8 N	1.32	0.66	22	9/32"
3/8"	1/2"	EQFS* 3/8 1/2 N	1.48	0.66	27	9/32"
1/2"	1/4"	EQFS* 1/2 1/4 N	1.46	0.90	22	3/8"
1/2"	3/8"	EQFS* 1/2 3/8 N	1.46	0.90	22	3/8"
1/2"	1/2"	EQFS* 1/2 1/2 N	1.56	0.90	27	3/8"
5/8"	3/8"	EQFS* 5/8 3/8 N	1.45	0.96	24	1/2"
5/8"	1/2"	EQFS* 5/8 1/2 N	1.56	0.96	27	1/2"
3/4"	1/2"	EQFS* 3/4 1/2 N	1.55	0.96	27	5/8"
3/4"	3/4"	EQFS* 3/4 3/4 N	1.61	0.96	36	5/8"
7/8"	3/4"	EQFS* 7/8 3/4 N	1.68	1.02	36	47/64"
1"	3/4"	EQFS* 1" 3/4 N	1.80	1.23	36	7/8"
1"	1"	EQFS* 1" 1" N	2.04	1.23	41	7/8"

Hex flats (H) are metric. Fractional upon request

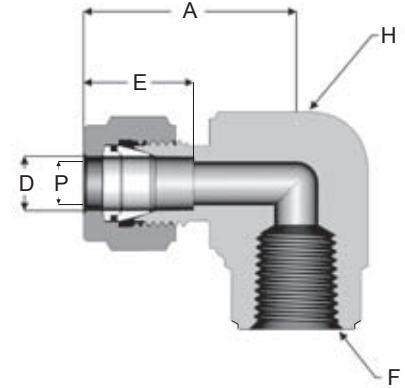
*Specify material when ordering. See page 8 for materials and codes.

FEMALE ELBOW | EQFS

APPLICATION

Connects a tube to a male taper-threaded apparatus or pipe at a 90° angle.

Special requirements on request



BSPT - ISO BSP Tapered Thread (T)

TUBE SIZE - METRIC (mm)

D	F	Reference	A	E	H	P
3	1/8"	EQFS* 3 1/8 T	24,9	12,9	14	2,4
3	1/4"	EQFS* 3 1/4 T	28,0	12,9	19	2,4
4	1/8"	EQFS* 4 1/8 T	25,7	13,7	14	3,2
6	1/8"	EQFS* 6 1/8 T	27,2	15,3	14	4,8
6	1/4"	EQFS* 6 1/4 T	30,4	15,3	19	4,8
6	1/2"	EQFS* 6 1/2 T	34,6	15,3	27	4,8
8	1/8"	EQFS* 8 1/8 T	28,1	16,2	14	6,4
8	1/4"	EQFS* 8 1/4 T	31,3	16,2	19	6,4
10	1/8"	EQFS* 10 1/8 T	32,2	17,2	19	8
10	1/4"	EQFS* 10 1/4 T	32,2	17,2	19	8
10	3/8"	EQFS* 10 3/8 T	33,8	17,2	22	8
10	1/2"	EQFS* 10 1/2 T	37,0	17,2	27	8
12	1/4"	EQFS* 12 1/4 T	36,3	22,8	22	7,1
12	3/8"	EQFS* 12 3/8 T	36,3	22,8	22	9,5
12	1/2"	EQFS* 12 1/2 T	39,5	22,8	27	9,5
14	3/8"	EQFS* 14 3/8 T	37,1	24,4	24	7,1
14	1/2"	EQFS* 14 1/2 T	39,5	24,4	27	9,5
16	3/8"	EQFS* 16 3/8 T	37,1	24,4	24	9,5
16	1/2"	EQFS* 16 1/2 T	39,5	24,4	27	11,9
18	1/2"	EQFS* 18 1/2 T	39,5	24,4	27	11,9
20	1/2"	EQFS* 20 1/2 T	41,1	26,0	30	11,9
20	3/4"	EQFS* 20 3/4 T	41,1	26,0	36	15,9
22	3/4"	EQFS* 22 3/4 T	41,1	26,0	36	15,9
25	3/4"	EQFS* 25 3/4 T	45,5	31,3	36	15,9
25	1"	EQFS* 25 1" T	51,9	31,3	41	22,2

*Specify material when ordering. See page 8 for materials and codes.

TUBE SIZE - FRACTIONAL (inch)

D	F	Reference	A	E	H (mm)	P
1/16"	1/16"	EQFS* 1/16 1/16 T	0,7	0,5	12	3/16"
1/16"	1/8"	EQFS* 1/16 1/8 T	0,7	0,5	12	3/16"
1/8"	1/8"	EQFS* 1/8 1/8 T	0,97	0,51	14	3/32"
1/8"	1/4"	EQFS* 1/8 1/4 T	1,09	0,51	19	3/32"
3/16"	1/8"	EQFS* 3/16 1/8 T	0,95	0,54	14	5/16"
1/4"	1/8"	EQFS* 1/4 1/8 T	1,0	0,60	14	3/16"
1/4"	1/4"	EQFS* 1/4 1/4 T	1,17	0,60	19	3/16"
1/4"	3/8"	EQFS* 1/4 3/8 T	1,26	0,60	22	3/16"
1/4"	1/2"	EQFS* 1/4 1/2 T	1,44	0,60	27	9/32"
5/16"	1/8"	EQFS* 5/16 1/8 T	1,11	0,64	14	1/4"
5/16"	1/4"	EQFS* 5/16 1/4 T	1,23	0,64	19	1/4"
3/8"	1/8"	EQFS* 3/8 1/8 T	1,26	0,66	19	9/32"
3/8"	1/4"	EQFS* 3/8 1/4 T	1,26	0,66	19	9/32"
3/8"	3/8"	EQFS* 3/8 3/8 T	1,32	0,66	22	9/32"
3/8"	1/2"	EQFS* 3/8 1/2 T	1,48	0,66	27	9/32"
1/2"	1/4"	EQFS* 1/2 1/4 T	1,46	0,90	22	3/8"
1/2"	3/8"	EQFS* 1/2 3/8 T	1,46	0,90	22	3/8"
1/2"	1/2"	EQFS* 1/2 1/2 T	1,56	0,90	27	3/8"
5/8"	3/8"	EQFS* 5/8 3/8 T	1,45	0,96	24	1/2"
5/8"	1/2"	EQFS* 5/8 1/2 T	1,56	0,96	27	1/2"
3/4"	1/2"	EQFS* 3/4 1/2 T	1,55	0,96	27	5/8"
3/4"	3/4"	EQFS* 3/4 3/4 T	1,61	0,96	36	5/8"
7/8"	3/4"	EQFS* 7/8 3/4 T	1,68	1,02	36	47/64"
1"	3/4"	EQFS* 1" 3/4 T	1,80	1,23	36	7/8"
1"	1"	EQFS* 1" 1" T	2,04	1,23	41	7/8"

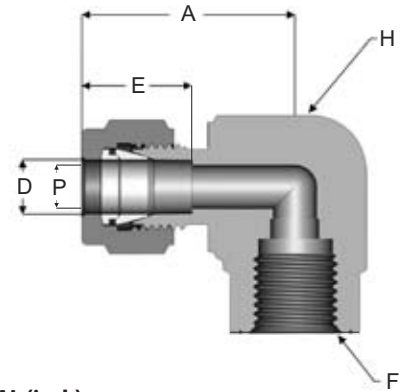
Hex flats (H) are metric. Fractional upon request
*Specify material when ordering. See page 8 for materials and codes.

FEMALE ELBOW | EQFS

APPLICATION

Connects a tube to a male parallel-threaded apparatus or pipe at a 90° angle.

Special requirements on request



BSPP - ISO BSP Parallel Thread (G)

TUBE SIZE - METRIC (mm)

D	F	Reference	A	E	H	P
3	1/8"	EQFS* 3 1/8 G	24,9	12,9	14	2,4
3	1/4"	EQFS* 3 1/4 G	28,0	12,9	19	2,4
4	1/8"	EQFS* 4 1/8 G	25,7	13,7	14	3,2
6	1/8"	EQFS* 6 1/8 G	27,2	15,3	14	4,8
6	1/4"	EQFS* 6 1/4 G	30,4	15,3	19	4,8
6	1/2"	EQFS* 6 1/2 G	34,6	15,3	27	4,8
8	1/8"	EQFS* 8 1/8 G	28,1	16,2	14	6,4
8	1/4"	EQFS* 8 1/4 G	31,3	16,2	19	6,4
10	1/8"	EQFS* 10 1/8 G	32,2	17,2	19	8
10	1/4"	EQFS* 10 1/4 G	32,2	17,2	19	8
10	3/8"	EQFS* 10 3/8 G	33,8	17,2	22	8
10	1/2"	EQFS* 10 1/2 G	37,0	17,2	27	8
12	1/4"	EQFS* 12 1/4 G	36,3	22,8	22	7,1
12	3/8"	EQFS* 12 3/8 G	36,3	22,8	22	9,5
12	1/2"	EQFS* 12 1/2 G	39,5	22,8	27	9,5
14	3/8"	EQFS* 14 3/8 G	37,1	24,4	24	7,1
14	1/2"	EQFS* 14 1/2 G	39,5	24,4	27	9,5
16	3/8"	EQFS* 16 3/8 G	37,1	24,4	24	9,5
16	1/2"	EQFS* 16 1/2 G	39,5	24,4	27	11,9
18	1/2"	EQFS* 18 1/2 G	39,5	24,4	27	11,9
18	3/4"	EQFS* 18 3/4 G	41,1	24,4	30	15,1
20	1/2"	EQFS* 20 1/2 G	41,1	26,0	30	11,9
20	3/4"	EQFS* 20 3/4 G	41,1	26,0	36	15,9
22	3/4"	EQFS* 22 3/4 G	41,1	26,0	36	15,9
25	3/4"	EQFS* 25 3/4 G	45,5	31,3	36	15,9
25	1"	EQFS* 25 1" G	51,9	31,3	41	22,2

*Specify material when ordering. See page 8 for materials and codes.

TUBE SIZE - FRACTIONAL (inch)

D	F	Reference	A	E	H (mm)	P
1/8"	1/8"	EQFS* 1/8 1/8 G	0.97	0.51	14	3/32"
1/8"	1/4"	EQFS* 1/8 1/4 G	1.09	0.51	19	3/32"
3/16"	1/8"	EQFS* 3/16 1/8 G	0.95	0.54	14	5/16"
1/4"	1/8"	EQFS* 1/4 1/8 G	1.00	0.60	14	3/16"
1/4"	1/4"	EQFS* 1/4 1/4 G	1.17	0.60	19	3/16"
1/4"	3/8"	EQFS* 1/4 3/8 G	1.26	0.60	22	3/16"
1/4"	1/2"	EQFS* 1/4 1/2 G	1.44	0.60	27	9/32"
5/16"	1/8"	EQFS* 5/16 1/8 G	1.11	0.64	14	1/4"
5/16"	1/4"	EQFS* 5/16 1/4 G	1.23	0.64	19	1/4"
3/8"	1/8"	EQFS* 3/8 1/8 G	1.26	0.66	19	9/32"
3/8"	1/4"	EQFS* 3/8 1/4 G	1.26	0.66	19	9/32"
3/8"	3/8"	EQFS* 3/8 3/8 G	1.32	0.66	22	9/32"
3/8"	1/2"	EQFS* 3/8 1/2 G	1.48	0.66	27	9/32"
1/2"	1/4"	EQFS* 1/2 1/4 G	1.46	0.90	22	3/8"
1/2"	3/8"	EQFS* 1/2 3/8 G	1.46	0.90	22	3/8"
1/2"	1/2"	EQFS* 1/2 1/2 G	1.56	0.90	27	3/8"
5/8"	3/8"	EQFS* 5/8 3/8 G	1.45	0.96	24	1/2"
5/8"	1/2"	EQFS* 5/8 1/2 G	1.56	0.96	27	1/2"
3/4"	1/2"	EQFS* 3/4 1/2 G	1.55	0.96	27	5/8"
3/4"	3/4"	EQFS* 3/4 3/4 G	1.61	0.96	36	5/8"
7/8"	3/4"	EQFS* 7/8 3/4 G	1.68	1.02	36	47/64"
1"	3/4"	EQFS* 1" 3/4 G	1.80	1.23	36	7/8"
1"	1"	EQFS* 1" 1" G	2.04	1.23	41	7/8"

Hex flats (H) are metric. Fractional upon request
*Specify material when ordering. See page 8 for materials and codes.

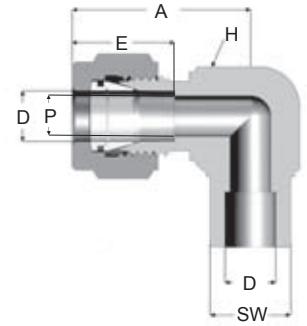
BSPP G end connections should be used with sealing gaskets. See page 9 for further information. See page 59 for gaskets.

SOCKET WELD | EQSWS

APPLICATION

Connects a tube to another tube of the same diameter at a 90° angle via a socket weld.

Special requirements on request



TUBE SIZE - METRIC (mm)

D	Reference	A	E	H	P	SW
12	EQSWS* 12	36,3	22,8	22	9,5	19,1

*Specify material when ordering. See page 8 for materials and codes.

TUBE SIZE - FRACTIONAL (inch)

D	Reference	A	E	H (mm)	P	SW
1/4"	EQSWS* 1/4	1.07	0.60	14	3/16"	0.44
5/16"	EQSWS* 5/16	1.11	0.64	14	1/4"	0.50
3/8"	EQSWS* 3/8	1.26	0.66	19	9/32"	0.63
1/2"	EQSWS* 1/2	1.42	0.90	22	13/32"	0.75
3/4"	EQSWS* 3/4	1.56	0.96	27	5/8"	1.06
1"	EQSWS* 1"	1.79	1.23	36	7/8"	1.31

Hex flats (H) are metric. Fractional upon request

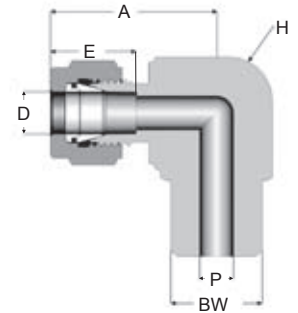
*Specify material when ordering. See page 8 for materials and codes.

MALE PIPE WELD ELBOW | EQBWS

APPLICATION

Connects a tube to a pipe at a 90° angle via a butt weld.

Special requirements on request



TUBE SIZE - METRIC (mm)

D	Nominal Pipe Size	Reference	A	E	H	P	BW
6	1/8"	EQBWS* 6 1/8	25,8	15,3	14	4,8	10,28
6	1/4"	EQBWS* 6 1/4	25,8	15,3	14	4,8	13,72
10	1/4"	EQBWS* 10 1/4	28,7	17,2	17	7,9	13,72

*Specify material when ordering. See page 8 for materials and codes.

TUBE SIZE - FRACTIONAL (inch)

D	Nominal Pipe Size	Reference	A	E	H (mm)	P	BW
1/4"	1/8"	EQBWS* 1/4 1/8	1.07	0.60	14	3/16"	0.405
1/4"	1/4"	EQBWS* 1/4 1/4	1.07	0.60	14	3/16"	0.54
3/8"	1/4"	EQBWS* 3/8 1/4	1.26	0.66	19	9/32"	0.54
1/2"	1/2"	EQBWS* 1/2 1/2	1.42	0.90	22	3/8"	0.84
3/4"	3/4"	EQBWS* 3/4 3/4	1.55	0.96	27	5/8"	1.05
1"	3/4"	EQBWS* 1" 3/4	1.79	1.23	36	7/8"	1.05

Hex flats (H) are metric. Fractional upon request

*Specify material when ordering. See page 8 for materials and codes.