

TECHNICAL SPECIFICATIONS

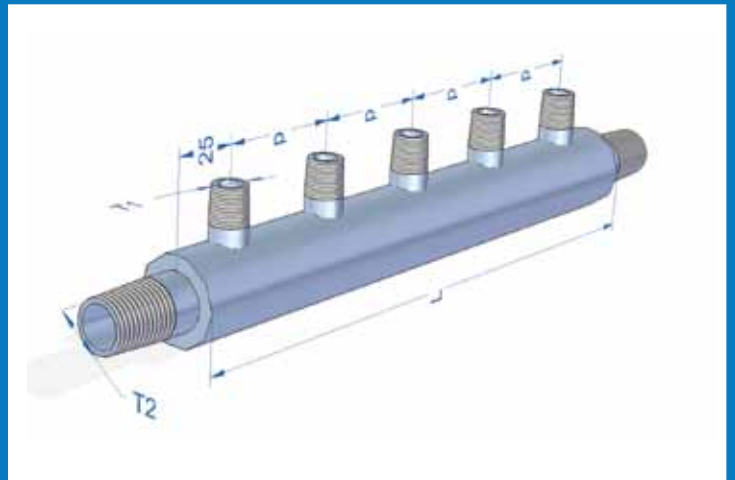
Model code	50395 -*
Number of outlets	3-10 (std.)
Inlet size "T2"	1/2 " BSPT or NPT
Outlet size "T1"	1/4 " BSPT or NPT
Centre to centre "p"	50 mm
Total length "L"	Depends on number of outlets

* number of outlets



EXTRA SPECIFICATIONS

- Also available in other centre to centre dimensions
- Also available in other pipe dimensions
- Also available in other configurations like outlets on both sides and outlet dimensions
- Also available with flanges



POSSIBILITIES OF VALVES AND/OR FITTINGS:

Valves

- SS316 ball valves (SERTO)
- SS316 lockable ball valves

Fittings

- SS316 compression fittings (SERTO) or other fittings like 'twin-ferrule' or DIN 2353 cutting ring couplings
- Of course Teesing can supply all other fittings