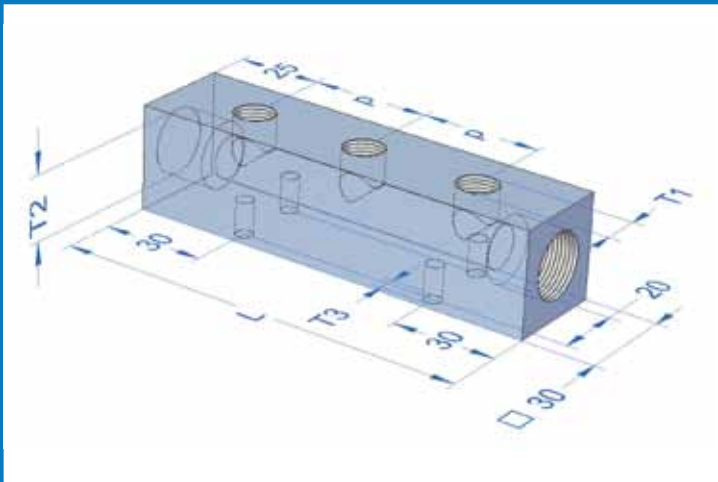




TECHNICAL SPECIFICATIONS

Model code	50390 -*
Number of outlets	2-10 (std.)
Inlet size "T2"	1/2 " BSPP
Outlet size "T1"	1/4 " BSPP
Centre to centre "p"	35 mm
Mounting holes "T3"	4 x M6
Total length "L"	Depends on number of outlets

* number of outlets



EXTRA SPECIFICATIONS

- Also available in other centre to centre dimensions
- Also available in other thread connections (example NPT) or sizes

POSSIBILITIES OF VALVES AND/OR FITTINGS:

Valves

- Regulating valves (SERTO)
- Stainless Steel ball valves

Fittings

- SS316 compression fitting (SERTO) or other fittings like 'twin-ferrule' or DIN 2353 cutting ring couplings
- Of course Teesing can supply all other fittings